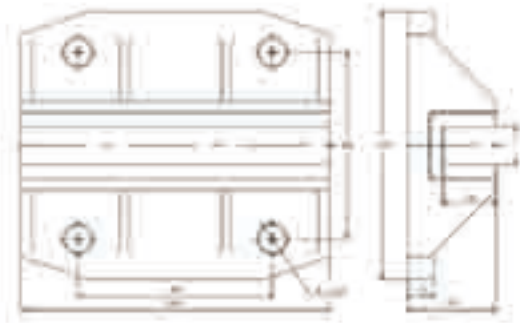


➤ Guide Shoes



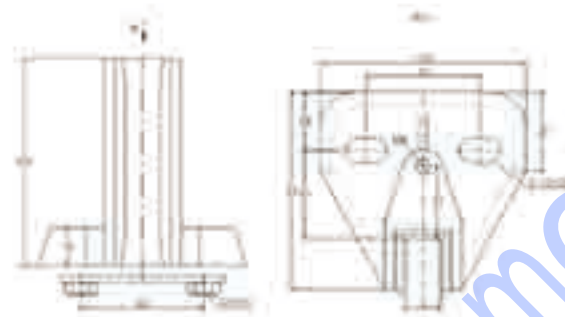
MZT-GS-310GW

Roller speed: 4.18, 11.55, 15.8
 Shoe type: GV-180, 150x10, 150x14



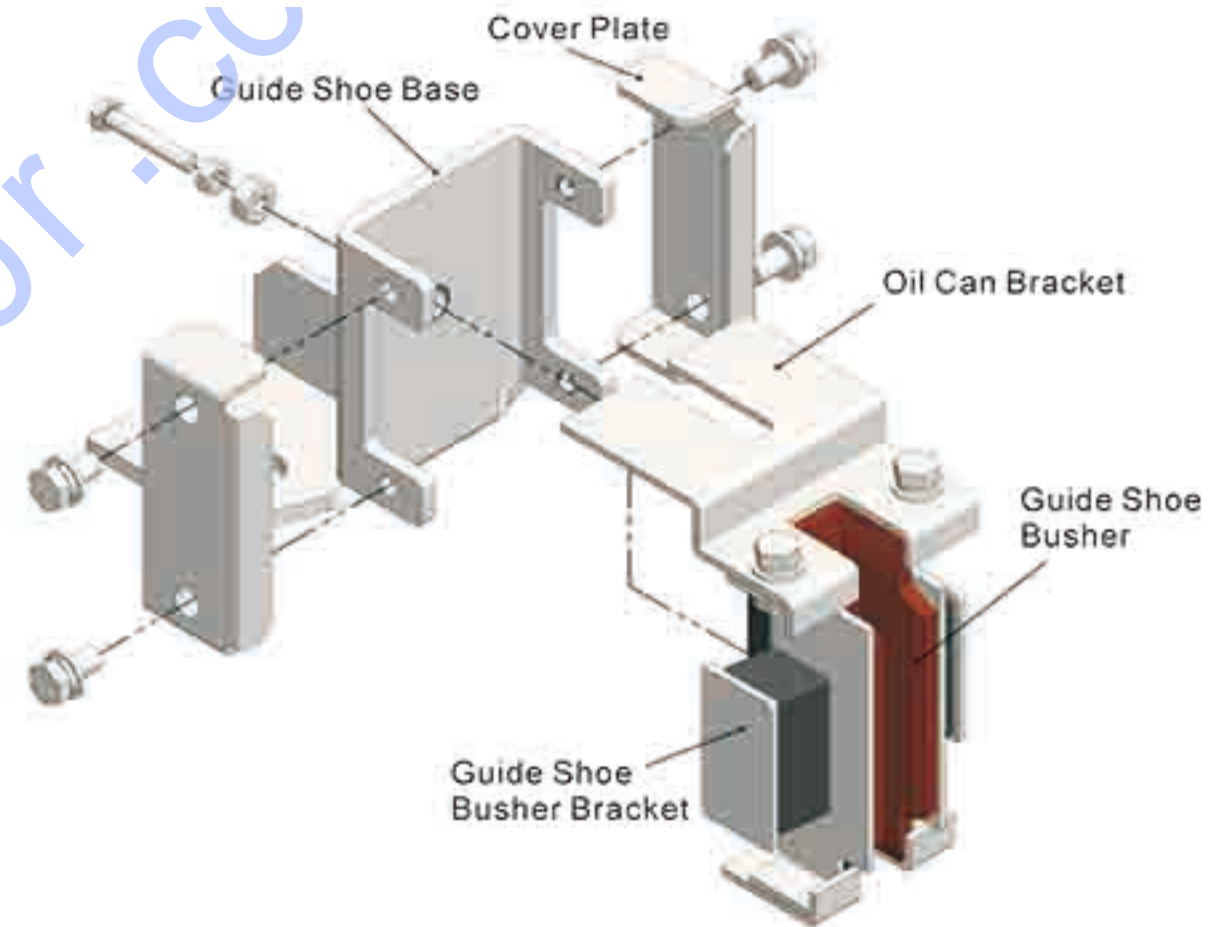
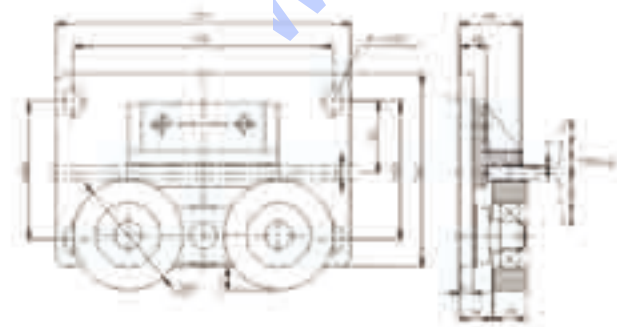
MZT-GS-L10

Roller speed: 1.75x
 Shoe type: GV-150
 Mark for roller: 1.10x1.4
 Suitable for 300V VFD



MZT-GS-019

Roller speed: 1.8x
 Shoe type: 1
 Mark for roller: 10
 Suitable for backpack type
 1.5 roller diameter size



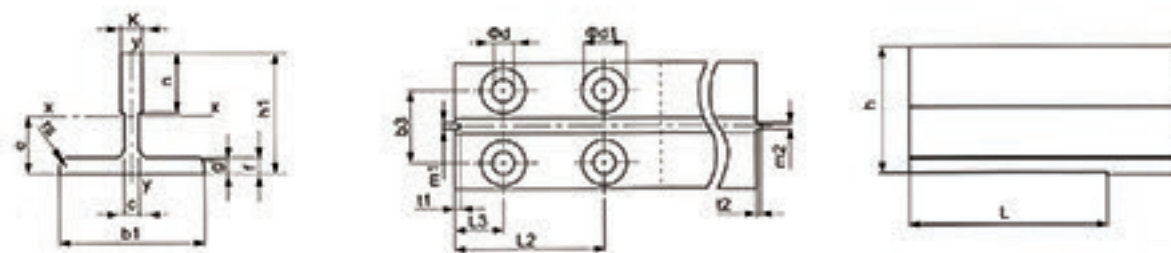
www.mozitor.com



PART 1 ▶

Guiding System

► Machined Guide Rail



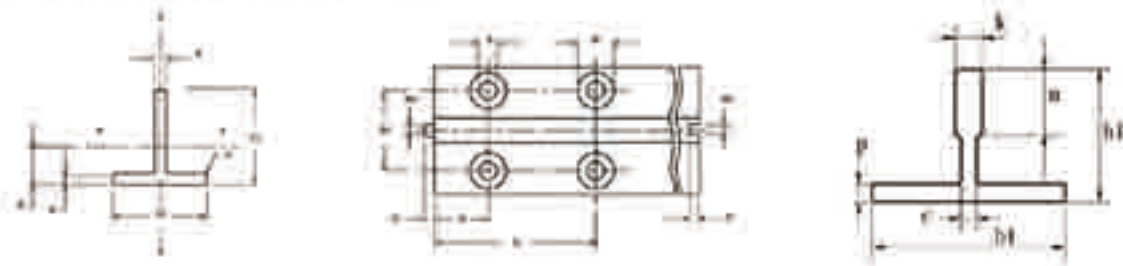
T型导轨尺寸 Dimensions of Machined Guide Rail

COD.ISO	b1	h1	h	k	n	c	g	f	rs	m ₁	μ ₁	l ₁	l ₂	l	d	d _r	b ₁	b	b
	TOLERANCES																		
	±1.5	±0.75	±0.1	$\begin{matrix} +0.1 \\ 0 \end{matrix}$	$\begin{matrix} +3 \\ 0 \end{matrix}$		±0.75	±0.75		$\begin{matrix} +0.06 \\ 0 \end{matrix}$	$\begin{matrix} +0.06 \\ 0 \end{matrix}$	±0.1	±0.1	$\begin{matrix} +3 \\ 0 \end{matrix}$			±0.2	±0.2	±0.2
T70-1/B	70	65	64	9	34	6	6	8	1.5	3	2.95	3.5	3	128	13	26	42	105	25
T75-3/B	75	62	61	10	30	8	7	9	3	3	2.95	3.5	3	123	13	26	43	90	30
T76-2/B	78	56	55	10	26	7	6	8.5	3	3	2.95	3.5	3	123	13	26	43	90	30
T79/B	82.5	68.25	66.6	9	34	7.5	6	8.25	3	3	2.95	3.5	3	111	13	26	50.8	81	27
T82-3/B	82	62	61	15.88	30	10	7	10	3	3	2.95	3.5	3	156	13	26	50.8	114.3	38.1
T89/B	89	62	61	16	33.4	10	7.9	11.1	3	6.4	6.37	7.14	6.35	156	13	26	57.2	114.3	38.1
T89-1/B	89	62	61	15.88	33.4	10	7	10	3	3	2.95	4	3.5	156	13	26	57.2	114.3	38.1
T90/B	90	75	74	16	42	10	8	10	4	6.4	6.37	7.14	6.35	156	13	26	57.2	114.3	38.1
T114/B	114	89	88	16	38	9.5	7.9	11.1	4	6.4	6.37	7.14	6.35	156	17	33	74	114.3	38.1
T127-1/B	127	88.9	88	15.88	44.5	10	7.9	11.1	4	6.4	6.37	7.14	6.35	156	17	33	79.4	114.3	38.1
T127-2/B	127	88.9	88	15.88	50.8	9.5	12.7	15.9	5	6.4	6.37	7.14	6.35	156	17	33	79.4	114.3	38.1

T型导轨技术参数 Physical Properties of Machined Guide Rail

COD.ISO	S cm ²	q ₁ Kg/m	e cm	I _{xx} cm ⁴	W _{xx} cm ³	b _x cm	I _y cm ⁴	W _y cm ³	I _y cm
T70-1/B	9.51	7.47	2.04	41.3	9.24	2.09	18.65	5.35	1.4
T75-3/B	10.99	8.63	1.86	40.35	9.29	1.92	26.49	7.06	1.55
T79/B	9.84	7.72	1.65	29.9	7.56	1.47	26.1	6.71	1.63
T82/B	10.9	8.55	1.98	49.4	10.2	2.13	30.5	7.4	1.67
T89/B	15.7	12.3	2.09	59.7	14.5	1.98	53	11.9	1.84
T89-1/B	15.7	11	2.09	59.7	14.5	1.98	53	11.9	1.84
T90/B	17.2	13.5	2.65	102.2	20.9	2.5	52	11.9	1.76
T114/B	20.8	16.4	2.87	179	29.7	2.93	108	19.1	2.28
T127-1/B	22.6	17.8	2.75	187	30.4	2.91	151.5	24	2.65
T127-2/B	28.9	22.7	2.46	200	31	2.68	235	36.8	2.86

➤ Cold Drawn Guide Rail



冷拔导轨尺寸 Dimensions of Cold Drawn Guide Rail

COD.150	b1	h1	k	p	re	mi	mi	h	ls	d	bs	ls	ls
	TOLERANCES												
	±1	±0.2	±0.15	±0.5		$\frac{+0.05}{-0.10}$	$\frac{+0.05}{-0.10}$	±0.1	±0.1		±0.2	±0.2	±0.2
T45/A	45	45	5	5	1	2	1.95	2.5	2	9	25	65	15
T50/A	50	50	5	5	1	2	1.95	2.5	2	9	30	75	25

COD.150	b1	h1	k	p	re	mi	mi	h	ls	d	bs	ls	ls
	TOLERANCES												
	±1.5	±0.1	$\frac{+0.1}{-0.1}$	±0.75		$\frac{+0.05}{-0.10}$	$\frac{+0.05}{-0.10}$	±0.1	±0.1		±0.2	±0.2	±0.2
T70/A	70	65	9	7	1.5	3	2.95	3.5	3	13	42	105	25

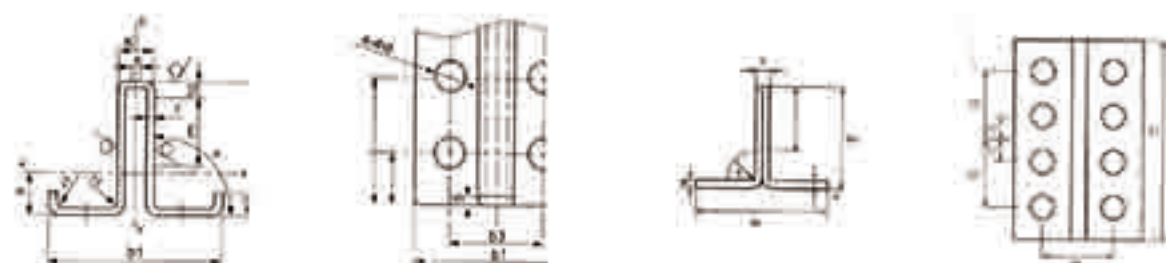
➤ Fishplate



连接板尺寸 Dimensions of Fishplate and Joint Holes

COD.150	d(mm)	bs(mm)	ls(mm)	L ₁ (mm)	L ₂ (mm)	L ₃ (mm)	A(mm)	we	we	bolt size
	TOLERANCES									
		±1.5	±0.2	±1.5	±0.2	±0.2	±0.2			
T70	13	70	42	250	105	25	10	1.33		M12×40
T75,T78	10	75	43	240	90	30	10	1.33		M12×40
T82	13	80	50.8	216	81	27	10	1.33		M12×40
T89,T90,T89-1	13	90	57.2	305	114.3	38.1	13	2.7		M12×40
T114B	17	120	70	305	114.3	38.1	17	5		M16×60
T127-1, T127-2	17	130	79.4	305	114.3	38.1	18	6		M16×60
T45	9	50	25	160	65	15	8	0.5		M8×25
T50	9	50	30	200	75	25	8	0.6		M8×25

➤ Hollow Guide Rail



T型导轨尺寸 Dimensions of Hollow Guide Rail

公差Tolerance 型号Model	项目Project 数值Size	b1	e	f	h1	h2	K	m	r1	α	bs	ls	ls	α
			±1	-	$\frac{+0.2}{-0.15}$	$\frac{+0}{-0.5}$	-	±0.4	-	-	$\frac{+60}{+20}$	±0.5	±0.5	±0.5
TK3		75	-	2	55±0.2	-	10±0.2	20	5	90°	43	90	30	10
TK5		87	±1.8	2.75	60	-	16.4	25	3	90°	50	180	20	14
公差Tolerance		±1	-	$\frac{+2}{-0.15}$	±0.3	±1	±0.45	-	-	-	±0.5	±0.5	±0.5	-
TK3A		78	±1.8	2	60	10	16.4	25	3	90°	45	75	25	11.5

空心导轨技术参数 Physical Properties of Hollow Guide Rail

公差Tolerance 型号Model	项目Project 数值Size	S	q	e	I _x	W _x	I _y	W _y	I _z	W _z
		cm ²	Kg/m	cm	cm ⁴	cm ³	cm ⁴	cm ³	cm ⁴	cm ³
TK3		3.48	2.5	1.88	11.89	3.27	1.85	6.47	1.73	1.36
TK5		5.86	4	2.15	20.8	6.99	2.08	18.81	4.28	1.73
TK3A		4.36	3.4	2.18	18.09	4.74	2.04	13.62	3.49	1.77
TK5A		6.17	4	2.14	24.33	6.3	1.99	18.78	4.82	1.74

连接件与导轨连接孔位尺寸参数 Dimensions Fishplate of Sectional Area & Joint Hole of Hollow Guide Rail

公差Tolerance 型号Model	项目Project 数值Size	bs	h1	f	U	bs	L ₁	L ₂	L ₃	Φd	bolt
			±1	±0.2		±0.5	±1.5	±0.5	±0.3		
LK3		72	40	6.0	2.75	43	220	90	30	10	M8×25
LK5		85	59	10.0	4	50	400	180	20	14	M12×35
LK3A		78	50	12.0	2.75	45	200	75	25	11.5	M10×35
LK5A		78	50	10.0	4	45	200	75	25	11.5	M10×35

➤ Anchor Bolts



Type A

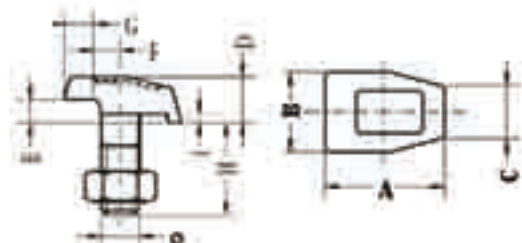
Mozitor Code	Size
MZT-BA-1210	M12*100
MZT-BA-1212	M12*120
MZT-BA-1215	M12*150
MZT-BA-1220	M12*200
MZT-BA-1610	M16*100
MZT-BA-1612	M16*120
MZT-BA-1615	M16*150
MZT-BA-1620	M16*200



Type F

Mozitor Code	Size
MZT-BF-1210	M12*100
MZT-BF-1212	M12*120
MZT-BF-1215	M12*150
MZT-BF-1610	M16*100
MZT-BF-1612	M16*120
MZT-BF-1614	M16*140

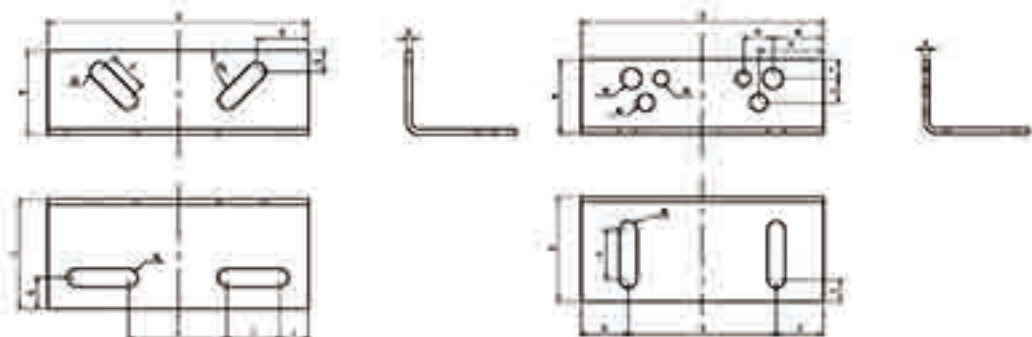
➤ Rail Clip



T Clip	Applicable Guide Rail Size	Φ	A	B	C	D	E	F	G	H	I
T1	T45/A, T50/A	M10	32	22	15	12	8	5	11	23	2
T2	T70-1/A, T70-1/B, T75-3/B, T78/B, T82/A, T82/B	M12	39	26	19	15	7	6.5	13	27	3
T3	T82-3/B, T89/A, T89/B, T90/A, T90/B	M14	45	29	21	19	10	8	13	34	4
T4	T114/B, T125/B, T127-1/B, T127-2/B	M16	50	34	22	21	11	8.5	15	40	4
T5	T140-1/B, T140-2/B	M18	55	37	22	23	13	11	17	42	4

➤ Rail Bracket

A	B	C	D	E	F	G	H	I	J	K	L	M	N	O
185	60	78	36.5	15	29	22	70	37	20.5	4	13	180	55	76
P	Q	R	S	T	V	W	X	Y	Z	K	L	M	N	O
37	35	110	35	17	48	37.5	22	14	18	4	11	13	15	13



Remark: We can process customized according to customer's drawings.

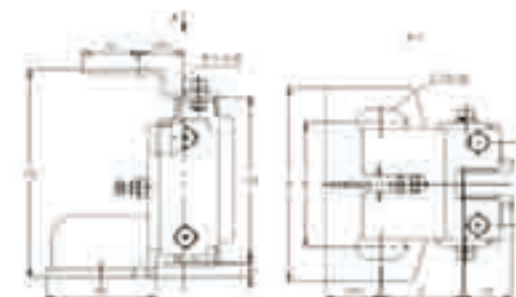
➤ Guide Shoes



MZT-GS-029

Basic load: 1.2T
 Press force: 400N
 Young's modulus: 200GPa
 Shear strength: 400MPa
 Match the guide rail: M12, M16, M18
 Applicable to the lateral cap guide

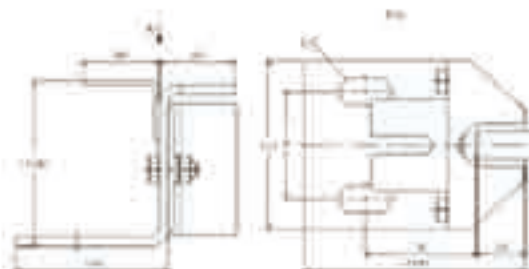
BRACKET (STANDARD) CLASITY	A	B	C	Φ	Φ
M12	40	30	15	M12	12
M16	45	35	18	M16	16
M18	50	40	20	M18	18



MZT-GS-847

Basic load: 1.2T
 Shear strength: 400MPa
 Match the guide rail: M16, M18
 Suitable for heavy-duty

BRACKET (STANDARD) CLASITY	A	B	C	Φ	Φ
M16	45	35	18	M16	16
M18	50	40	20	M18	18



MZT-GS-847w

Match the guide rail: M16, M18
 Specification and type

