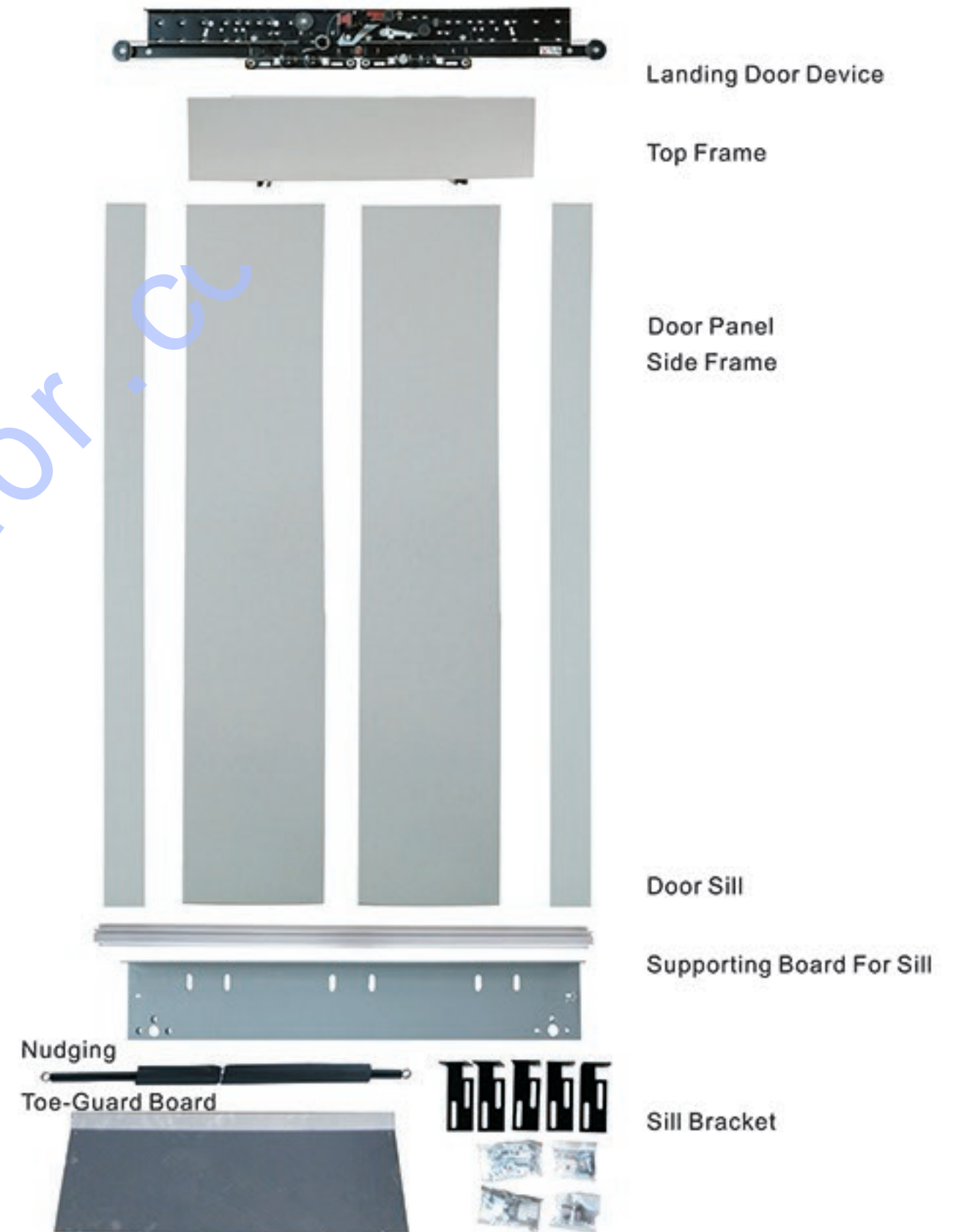
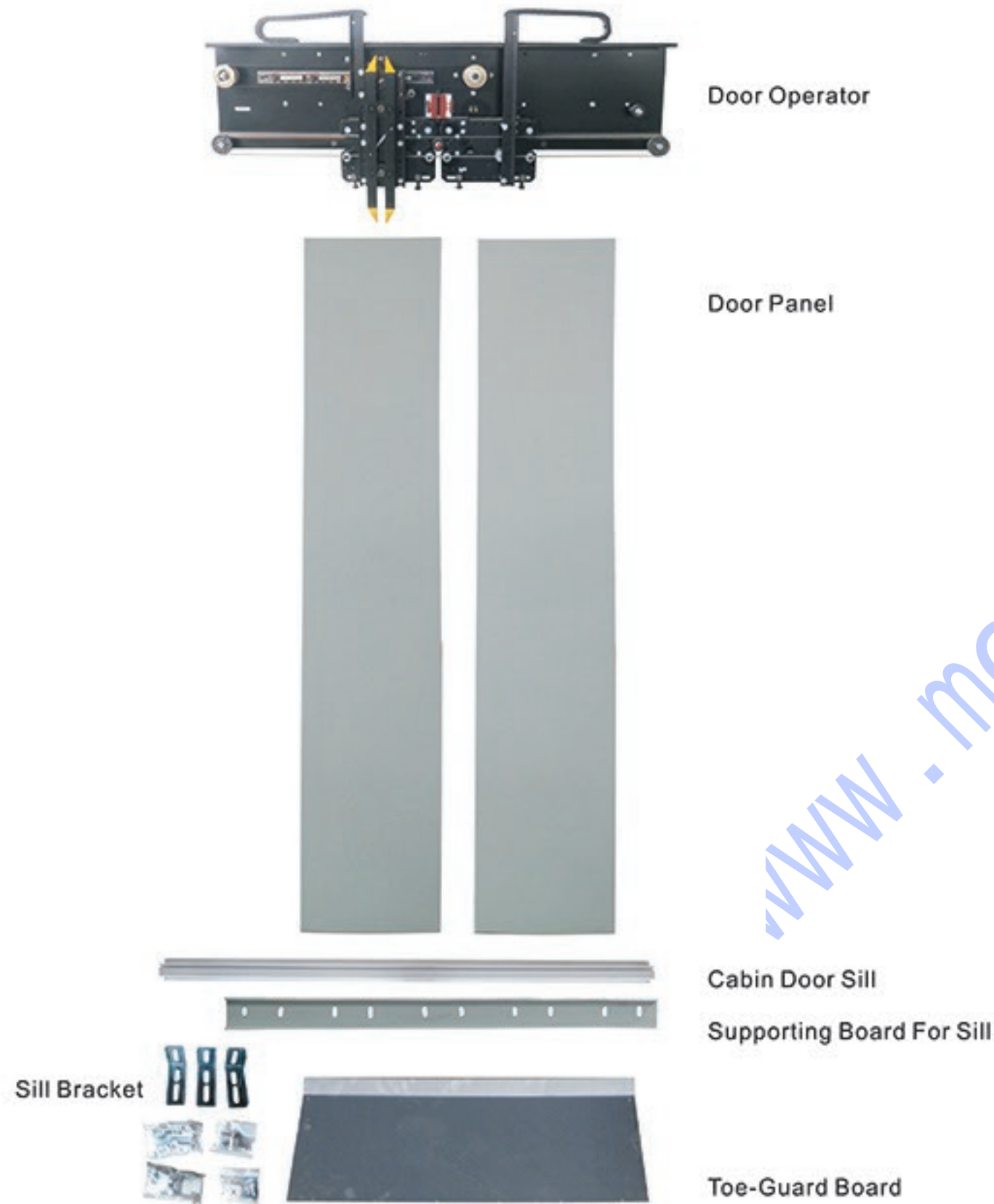
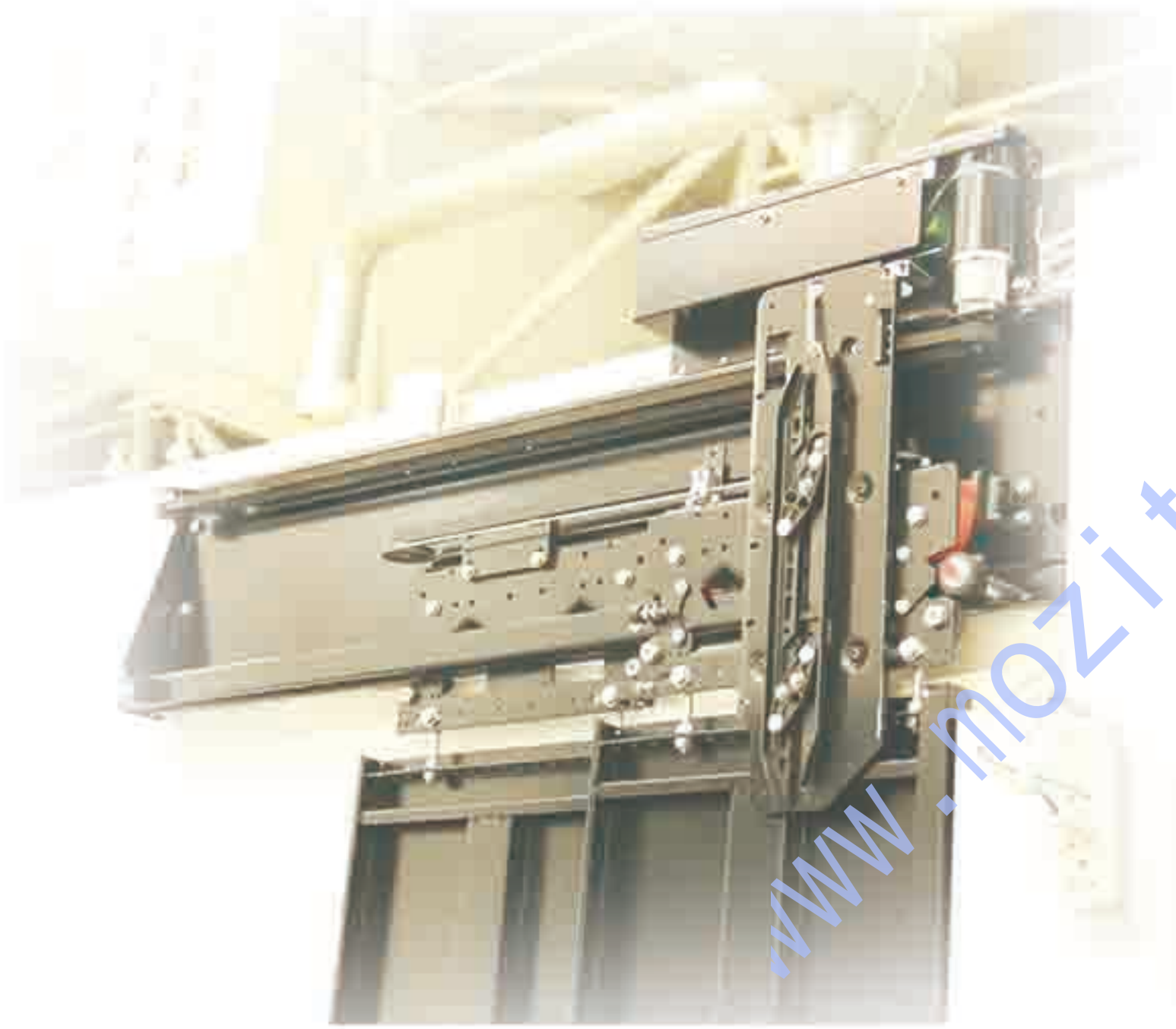
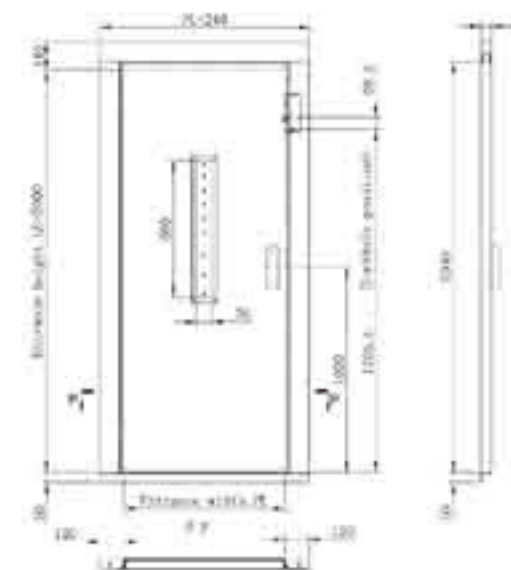


► Selcom Type Door Operator & Landing Door





► SEMI-Automatic Door



MZT-DR-00(Traditional Semi-automatic Doors)

Panel structure: Hollow

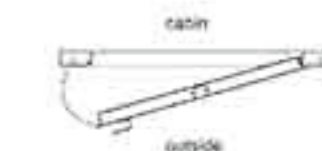
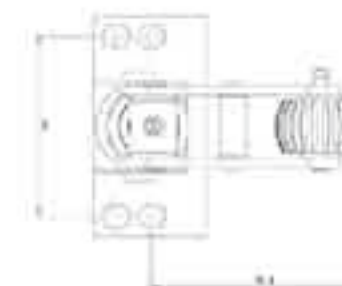
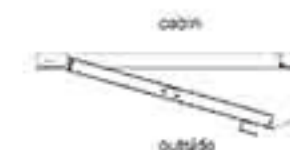
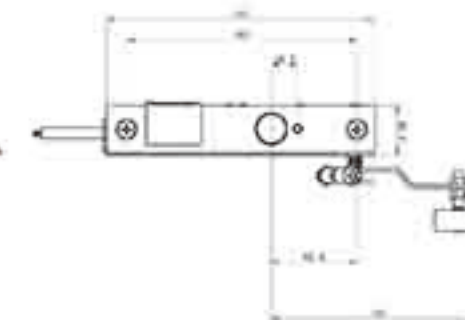
Strength: Poor

Weight: Over 70kg, need two people to carry and install

Flatness: Welding and hollow make panel deformation

Crack: The adjustment only can be up and down

Hinge spring: Complex structure. The hinge is easy to be damaged due to the heavy panel.

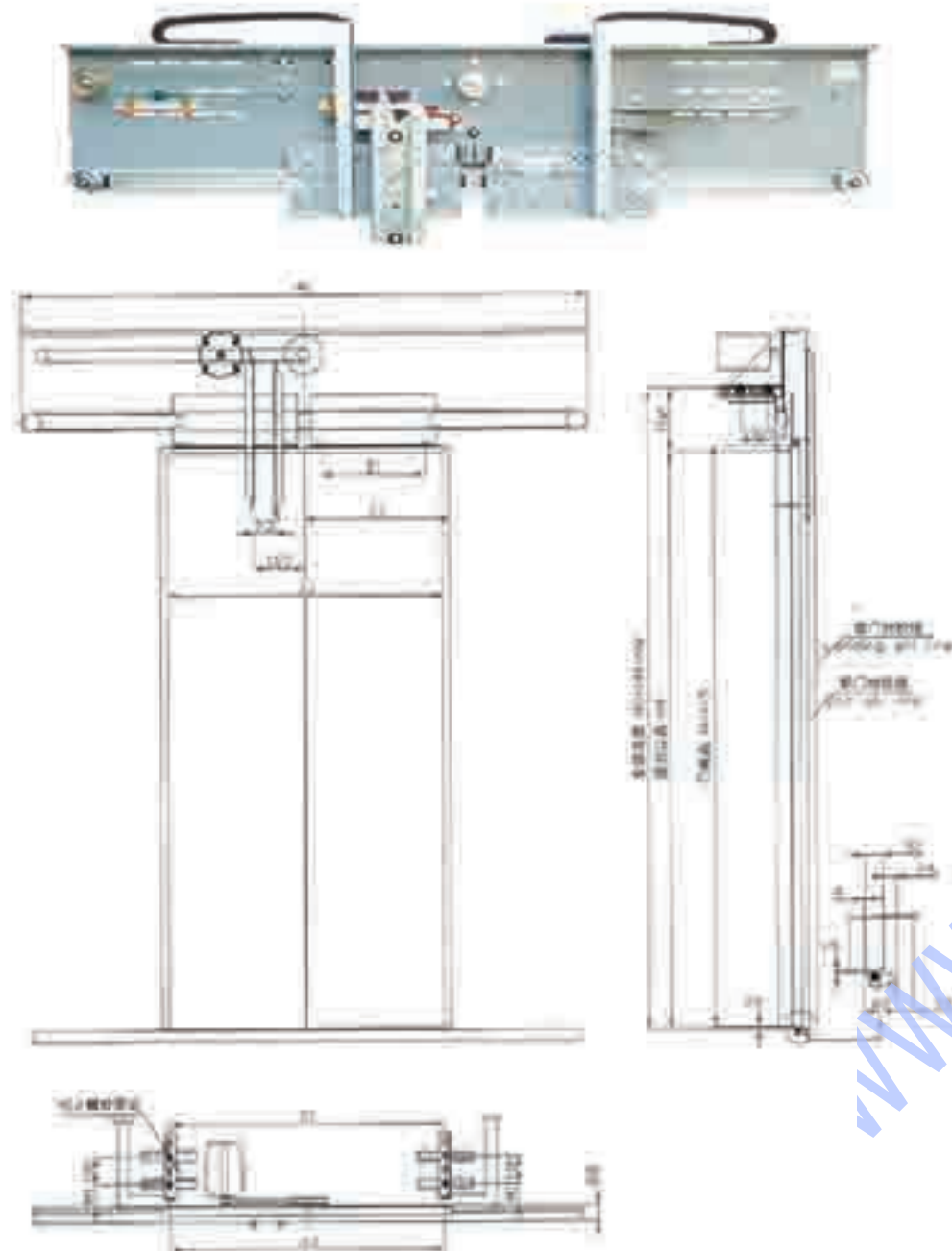


PART 4 ►

Door System

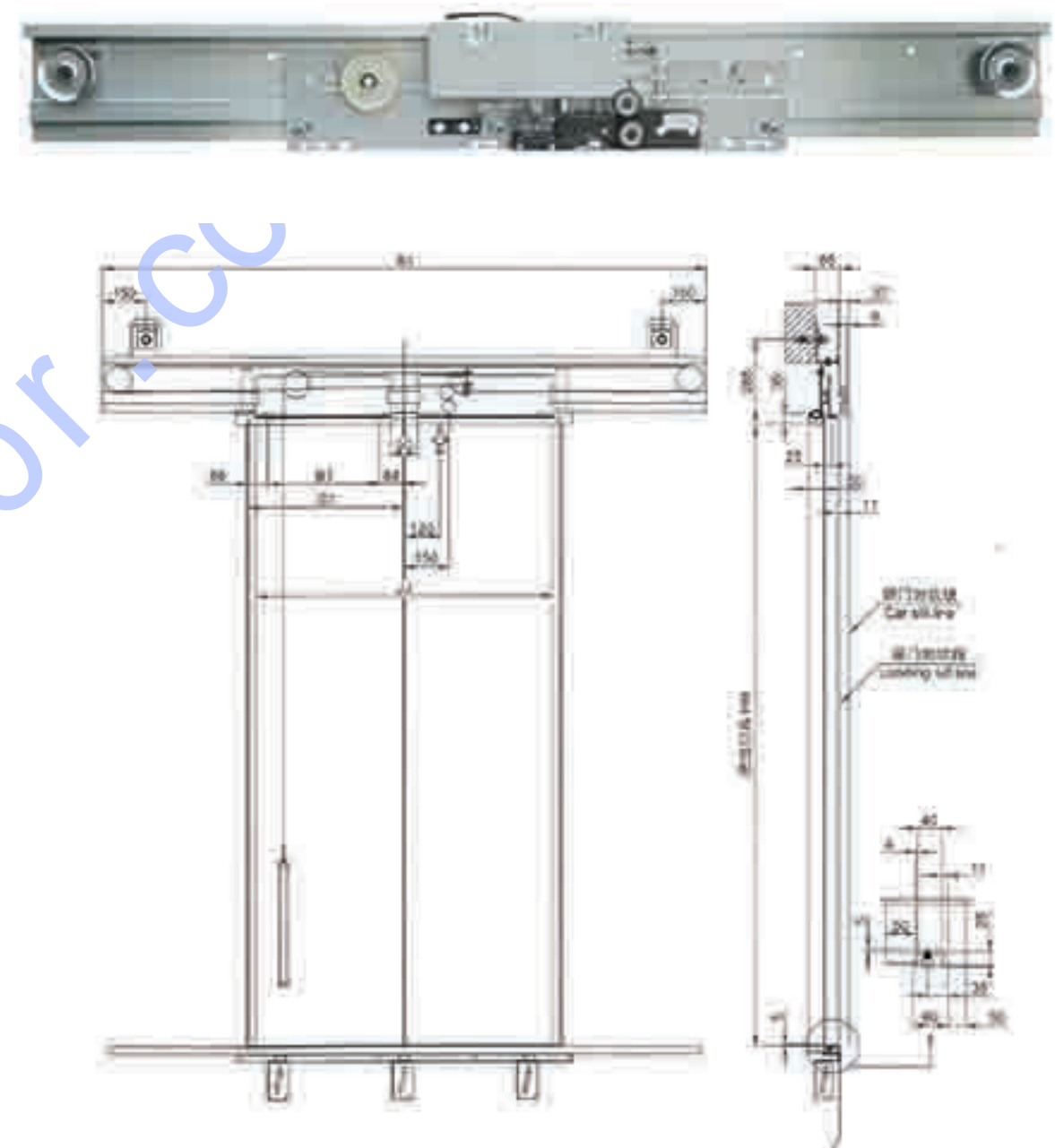
➤ Mitsubishi Type Door Operator & Landing Door Device

VVVF Center Opening Two Panel Door Operator MZT-MVT-211



| | | | | | | | | |
|----|------|------|------|------|------|------|------|------|
| JJ | 700 | 800 | 900 | 1000 | 1100 | 1200 | 1300 | 1400 |
| A1 | 1460 | 1660 | 1860 | 2060 | 2260 | 2460 | 2660 | 2860 |
| B1 | 225 | 275 | 325 | 375 | 425 | 575 | 525 | 575 |
| C1 | 375 | 425 | 475 | 525 | 575 | 625 | 675 | 725 |
| D1 | 1050 | 1050 | 1050 | 1050 | 1050 | 1200 | 1300 | 1400 |

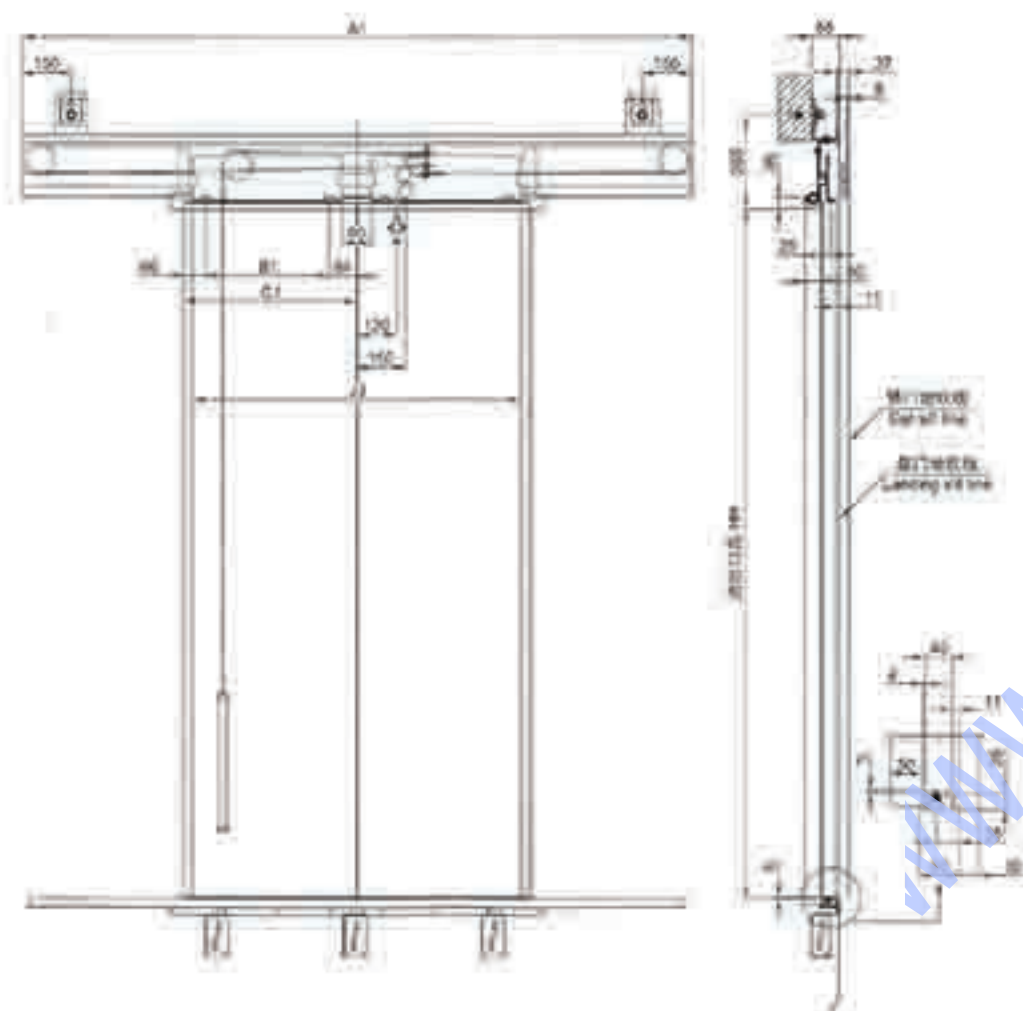
Center Opening Two Panel Landing Door Device MZT-LM-211



| | | | | | | | | | | | | | | | |
|----|------|------|------|------|------|------|------|------|------|------|------|------|------|------|------|
| JJ | 700 | 750 | 800 | 850 | 900 | 950 | 1000 | 1050 | 1100 | 1150 | 1200 | 1250 | 1300 | 1350 | 1400 |
| A1 | 1440 | 1640 | 1840 | 1740 | 1840 | 1940 | 2040 | 2140 | 2240 | 2340 | 2440 | 2540 | 2640 | 2740 | 2840 |
| B1 | 225 | 250 | 275 | 300 | 325 | 350 | 375 | 400 | 425 | 450 | 475 | 500 | 525 | 550 | 575 |
| C1 | 375 | 400 | 425 | 450 | 475 | 500 | 525 | 550 | 575 | 600 | 625 | 650 | 675 | 700 | 725 |

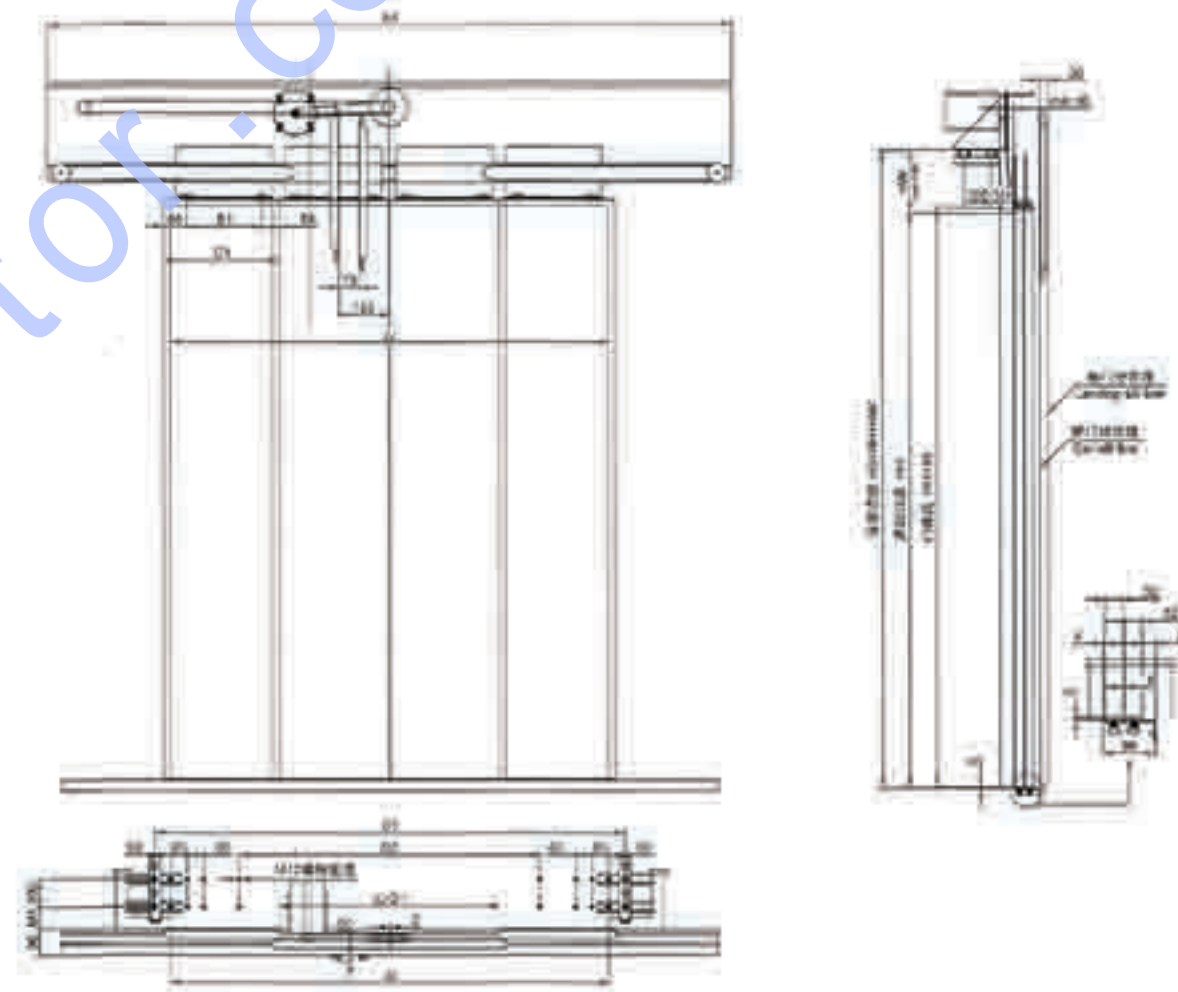
► Mitsubishi Type Door Operator & Landing Door Device

Center Opening Two Panel Landing Door Device MZT-LS-211



| | | | | | | | | | | | | | | | |
|----|------|------|------|------|------|------|------|------|------|------|------|------|------|------|------|
| J | 700 | 750 | 800 | 850 | 900 | 950 | 1000 | 1050 | 1100 | 1150 | 1200 | 1250 | 1300 | 1350 | 1400 |
| A1 | 1440 | 1540 | 1640 | 1740 | 1840 | 1940 | 2040 | 2140 | 2240 | 2340 | 2440 | 2540 | 2640 | 2740 | 2840 |
| B1 | 225 | 250 | 275 | 300 | 325 | 350 | 375 | 400 | 425 | 450 | 475 | 500 | 525 | 550 | 575 |
| C1 | 375 | 400 | 425 | 450 | 475 | 500 | 525 | 550 | 575 | 600 | 625 | 650 | 675 | 700 | 725 |

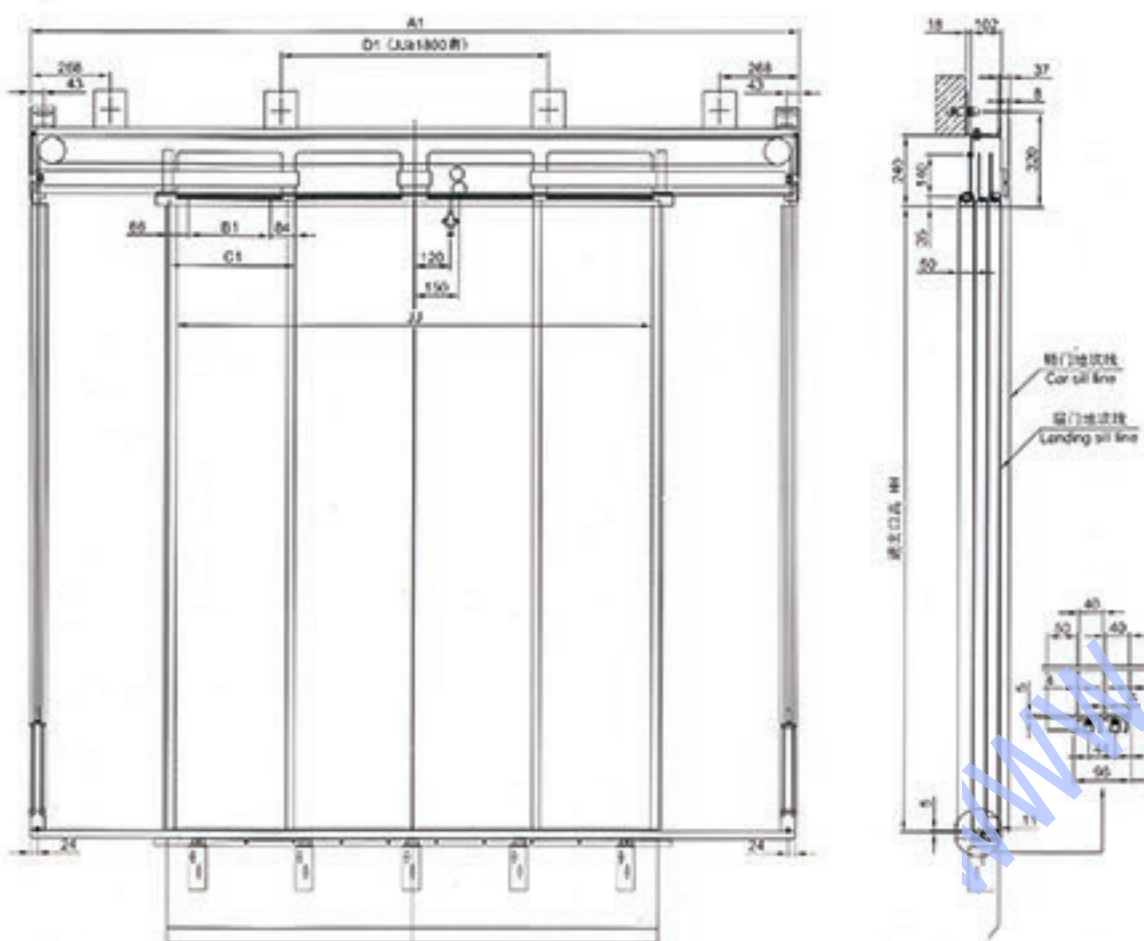
VVVF Center Opening Four Panel Door Operator MZT-MVT-411



| | | | | | | | | | | | | | | | | | | | | | |
|----|------|------|------|------|------|------|------|------|------|------|------|------|------|------|------|------|------|------|------|------|------|
| J | 1200 | 1300 | 1400 | 1500 | 1600 | 1700 | 1800 | 1900 | 2000 | 2100 | 2200 | 2300 | 2400 | 2500 | 2600 | 2700 | 2800 | 2900 | 3000 | 3100 | 3200 |
| A1 | 1900 | 2050 | 2200 | 2350 | 2500 | 2650 | 2800 | 2950 | 3100 | 3250 | 3400 | 3550 | 3700 | 3850 | 4000 | 4150 | 4300 | 4450 | 4600 | 4750 | 4900 |
| B1 | 175 | 200 | 225 | 250 | 275 | 300 | 325 | 350 | 375 | 400 | 425 | 450 | 475 | 500 | 525 | 550 | 575 | 600 | 625 | 650 | 675 |
| C1 | 325 | 350 | 375 | 400 | 425 | 450 | 475 | 500 | 525 | 550 | 575 | 600 | 625 | 650 | 675 | 700 | 725 | 750 | 775 | 800 | 825 |
| D1 | 1320 | 1420 | 1520 | 1620 | 1720 | 1820 | 1920 | 2020 | 2120 | 2220 | 2320 | 2420 | 2520 | 2620 | 2720 | 2820 | 2920 | 3020 | 3120 | 3220 | 3320 |
| D2 | 1100 | | | | | | | | | | | | | | | | | | | | |

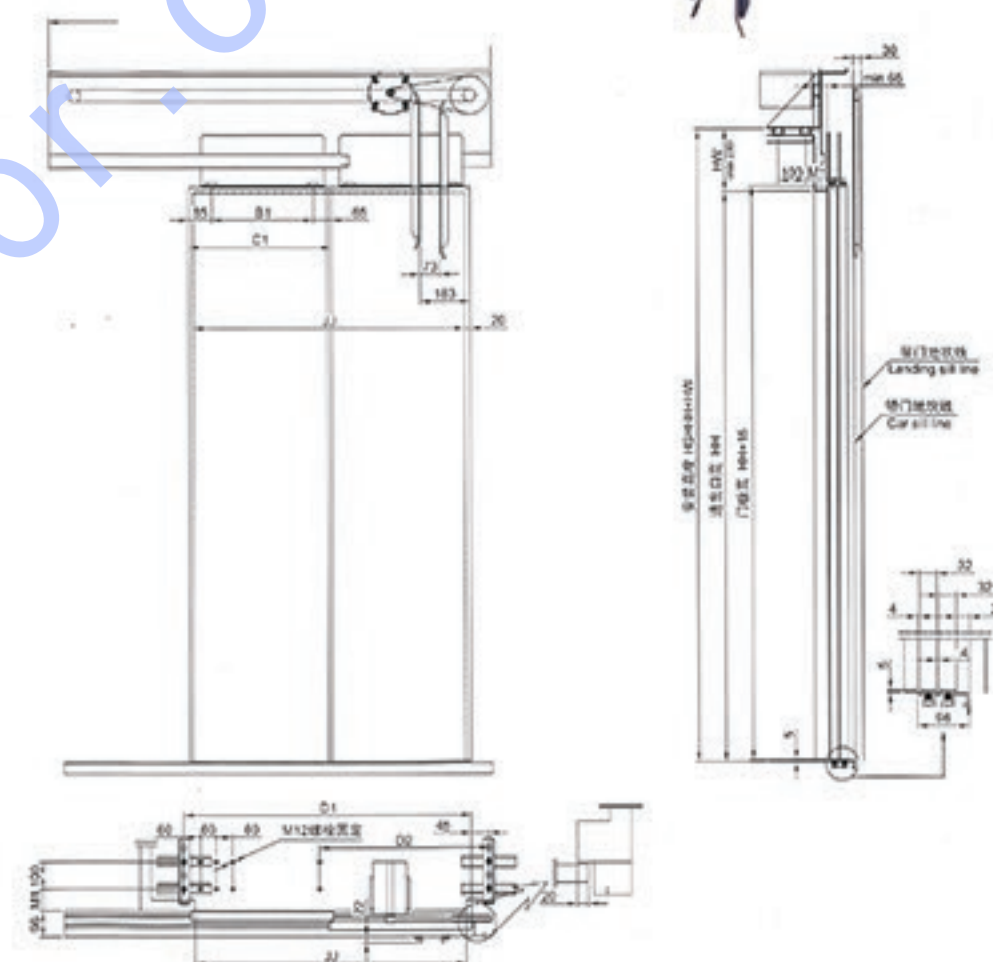
► Mitsubishi Type Door Operator & Landing Door Device

Center Opening Four Panel Landing Door Device MZT-LM-411



| | | | | | | | | | | | | | | | | | | | | | |
|----|------|------|------|------|------|------|------|------|------|------|------|------|------|------|------|------|------|------|------|------|------|
| JJ | 1200 | 1300 | 1400 | 1500 | 1600 | 1700 | 1800 | 1900 | 2000 | 2100 | 2200 | 2300 | 2400 | 2500 | 2600 | 2700 | 2800 | 2900 | 3000 | 3100 | 3200 |
| A1 | 1900 | 2050 | 2200 | 2350 | 2500 | 2650 | 2800 | 2950 | 3100 | 3250 | 3400 | 3550 | 3700 | 3850 | 4000 | 4150 | 4300 | 4450 | 4600 | 4750 | 4900 |
| B1 | 175 | 200 | 225 | 250 | 275 | 300 | 325 | 350 | 375 | 400 | 425 | 450 | 475 | 500 | 525 | 550 | 575 | 600 | 625 | 650 | 675 |
| C1 | 325 | 350 | 375 | 400 | 425 | 450 | 475 | 500 | 525 | 550 | 575 | 600 | 625 | 625 | 675 | 700 | 725 | 750 | 775 | 800 | 825 |
| D1 | 1320 | 1420 | 1520 | 1620 | 1720 | 1820 | 1920 | 2020 | 2120 | 2220 | 2320 | 2420 | 2520 | 2620 | 2720 | 2820 | 2920 | 3020 | 3120 | 3220 | 3320 |
| D2 | 1100 | | | | | | | | | | | | | | | | | | | | |

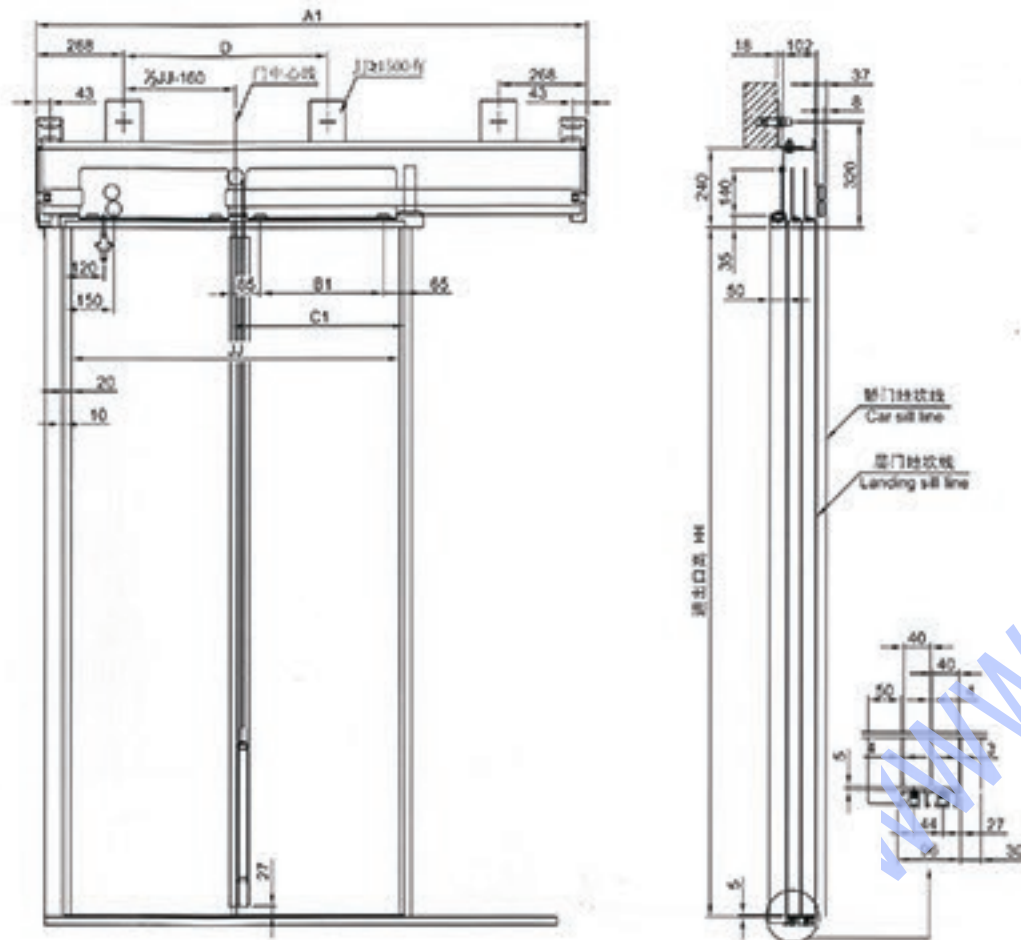
VVVF Side Opening Two Panel Door Operator MZT-MV-210



| | | | | | | | | | | | | |
|----|------|------|------|------|------|------|------|------|------|------|------|------|
| JJ | 700 | 800 | 900 | 1000 | 1100 | 1200 | 1300 | 1400 | 1500 | 1600 | 1700 | 1800 |
| A1 | 1180 | 1330 | 1480 | 1630 | 1780 | 1930 | 2080 | 2230 | 2380 | 2530 | 2680 | 2830 |
| B1 | 225 | 275 | 325 | 375 | 425 | 475 | 525 | 575 | 625 | 675 | 725 | 775 |
| C1 | 375 | 425 | 475 | 525 | 575 | 575 | 675 | 725 | 775 | 825 | 975 | 925 |
| D1 | 760 | 860 | 960 | 1060 | 1160 | 1260 | 1360 | 1460 | 1560 | 1660 | 1760 | 1860 |
| D2 | | | | | | | | | | | | 640 |

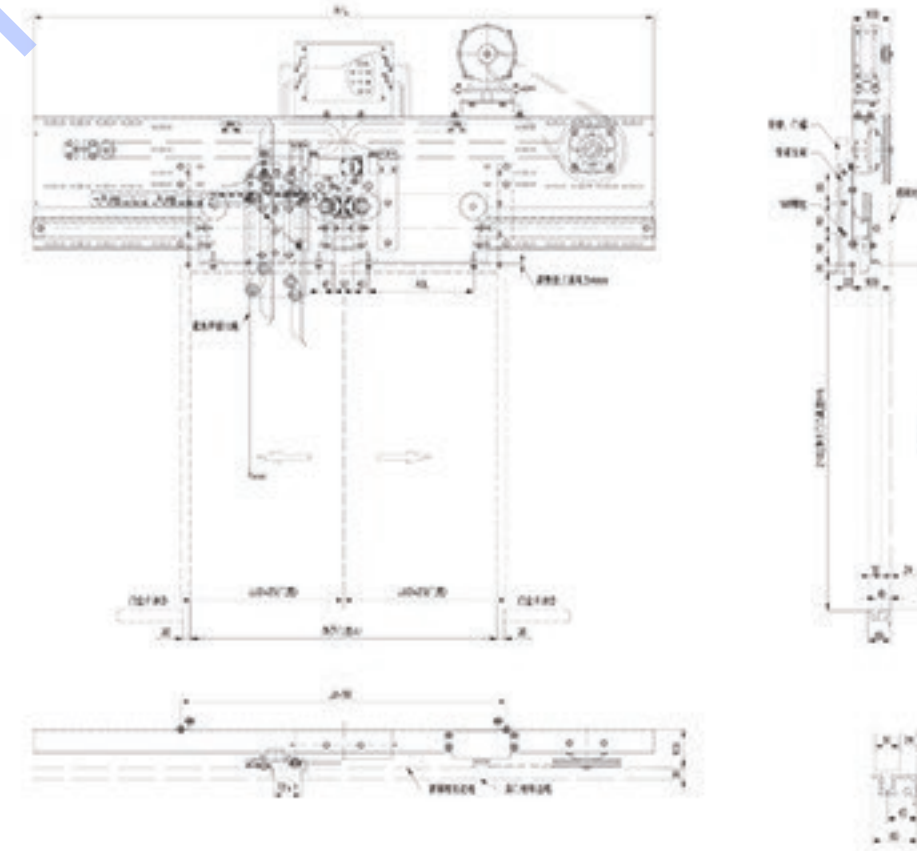
➤ Mitsubishi Type Door Operator & Landing Door Device

Side Opening Two Panel Landing Door Device MZT-LM-201



| | | | | | | | | | | | | |
|----|------|------|------|------|------|------|------|------|------|------|------|------|
| JJ | 700 | 800 | 900 | 1000 | 1100 | 1200 | 1300 | 1400 | 1500 | 1600 | 1700 | 1800 |
| A1 | 1226 | 1376 | 1526 | 1676 | 1826 | 1976 | 2126 | 2276 | 2426 | 2576 | 2726 | 2876 |
| B1 | 225 | 275 | 325 | 375 | 425 | 475 | 525 | 575 | 625 | 675 | 725 | 775 |
| C1 | 375 | 425 | 475 | 525 | 575 | 625 | 675 | 725 | 775 | 825 | 875 | 925 |
| D1 | | | | | | | | 1425 | 1525 | 1625 | 1725 | |

VVF Center Opening Door Operator MZT-OMJ-09X



| | | | | | | | | | | | | |
|-----|------|------|------|------|------|------|------|------|------|------|------|------|
| JJ | 650 | 700 | 750 | 800 | 850 | 900 | 950 | 1000 | 1050 | 1100 | 1150 | 1200 |
| A1L | 1320 | 1420 | 1520 | 1620 | 1720 | 1820 | 1920 | 2020 | 2120 | 2220 | 2320 | 2420 |
| A3L | 200 | 225 | 225 | 250 | 275 | 300 | 325 | 350 | 375 | 425 | 450 | 475 |

Guiding System

Traction System

Car System

Door System

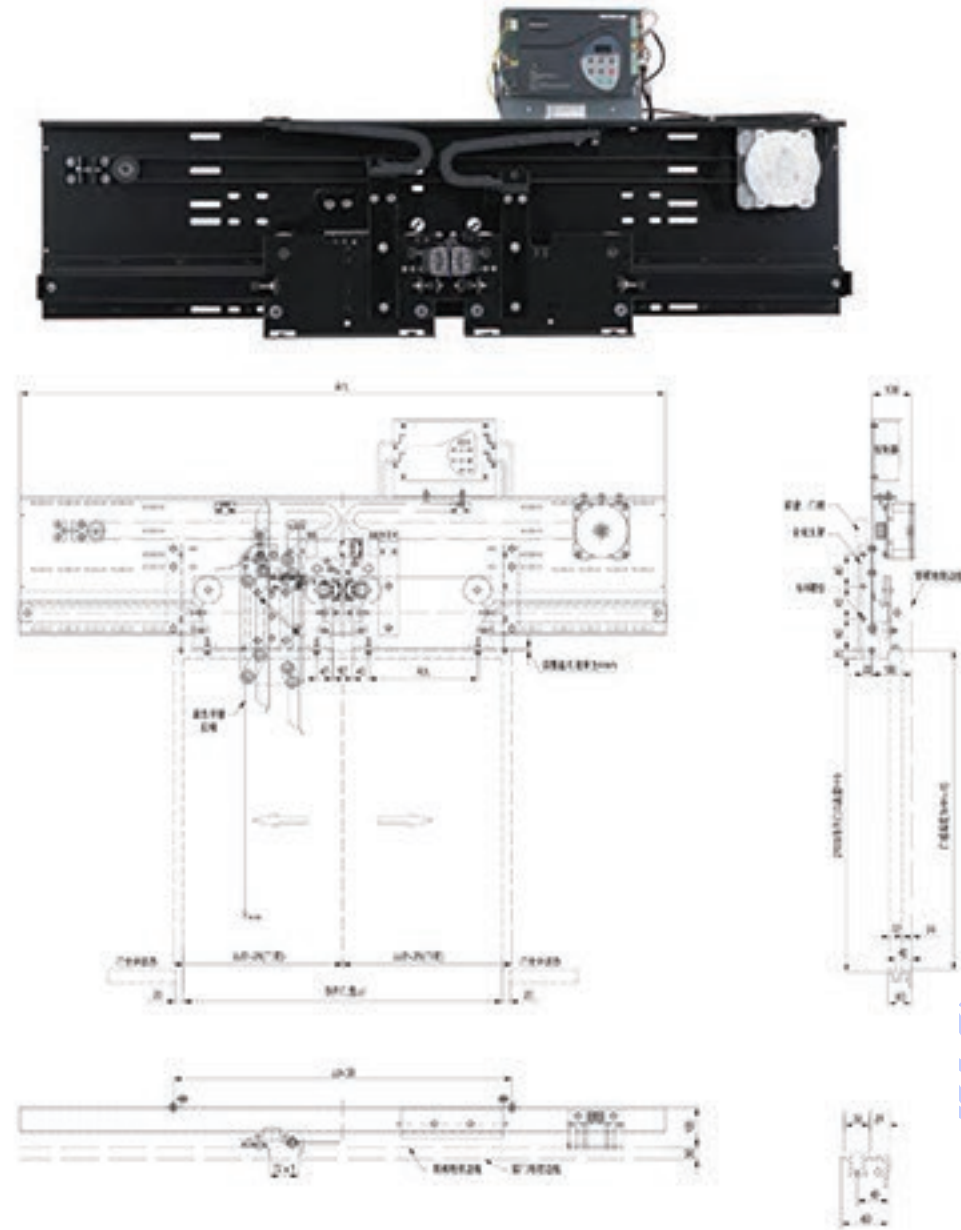
Safety Protection System

Electrical Control System

Accessories

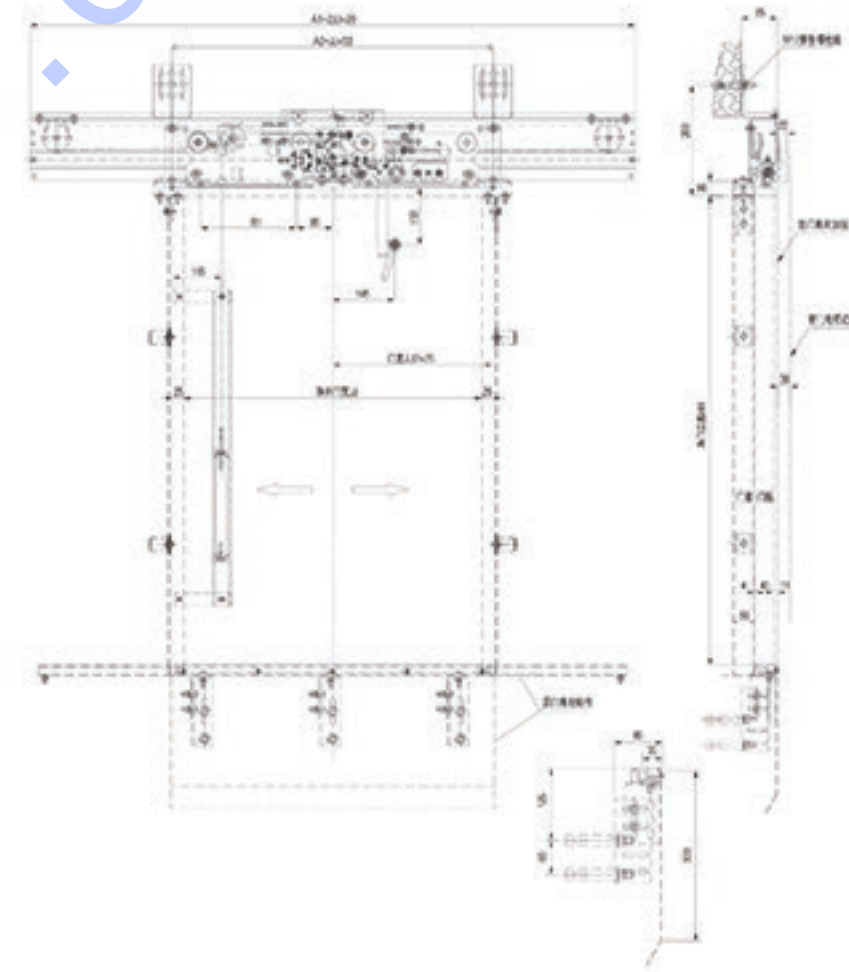
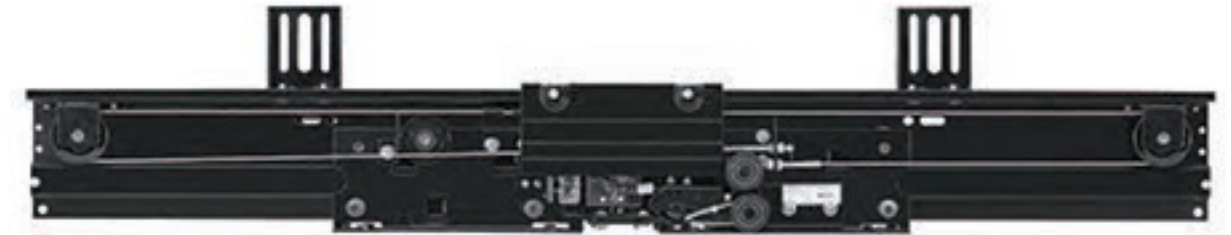
➤ Mitsubishi Type Door Operator & Landing Door Device

VVF Center Opening Door Operator MZT-OMJ-12X



| | | | | | | | | | | | | |
|-----|------|------|------|------|------|------|------|------|------|------|------|------|
| JJ | 650 | 700 | 750 | 800 | 850 | 900 | 950 | 1000 | 1050 | 1100 | 1150 | 1200 |
| A1L | 1320 | 1420 | 1520 | 1620 | 1720 | 1820 | 1920 | 2020 | 2120 | 2220 | 2320 | 2420 |
| A3L | 200 | 225 | 225 | 250 | 275 | 300 | 325 | 350 | 375 | 425 | 450 | 475 |

Center Opening Landing Door Device MZT-OCM01-B

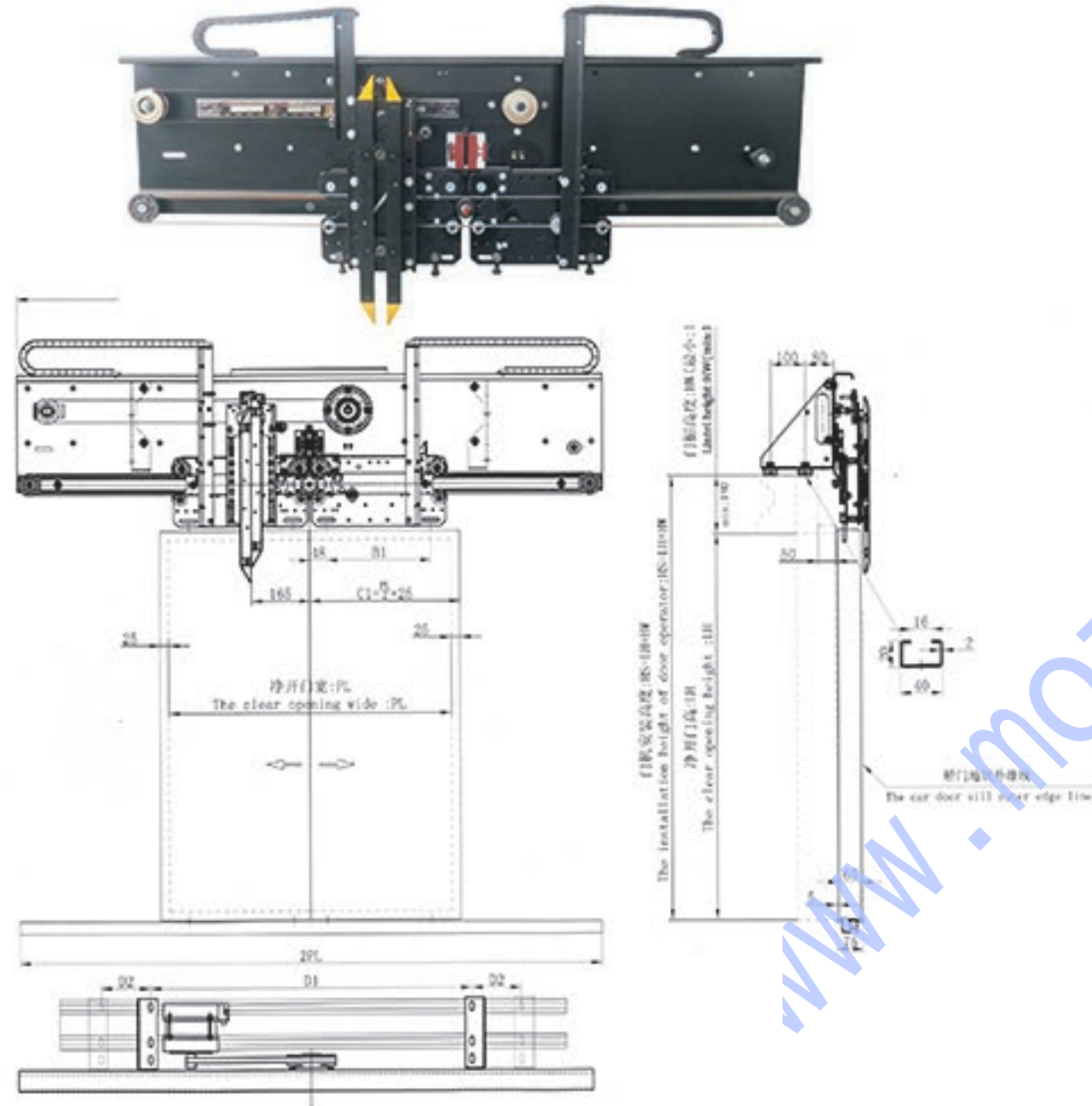


| | | | | | | | | | | | | | |
|----|------|------|------|------|------|------|------|------|------|------|------|------|------|
| JJ | 600 | 650 | 700 | 750 | 800 | 850 | 900 | 950 | 1000 | 1050 | 1100 | 1150 | 1200 |
| A1 | 1220 | 1320 | 1420 | 1520 | 1620 | 1720 | 1820 | 1920 | 2020 | 2120 | 2220 | 2320 | 2420 |
| B1 | 175 | 200 | 225 | 250 | 275 | 300 | 325 | 350 | 375 | 400 | 425 | 450 | 475 |

www.mozitor.com

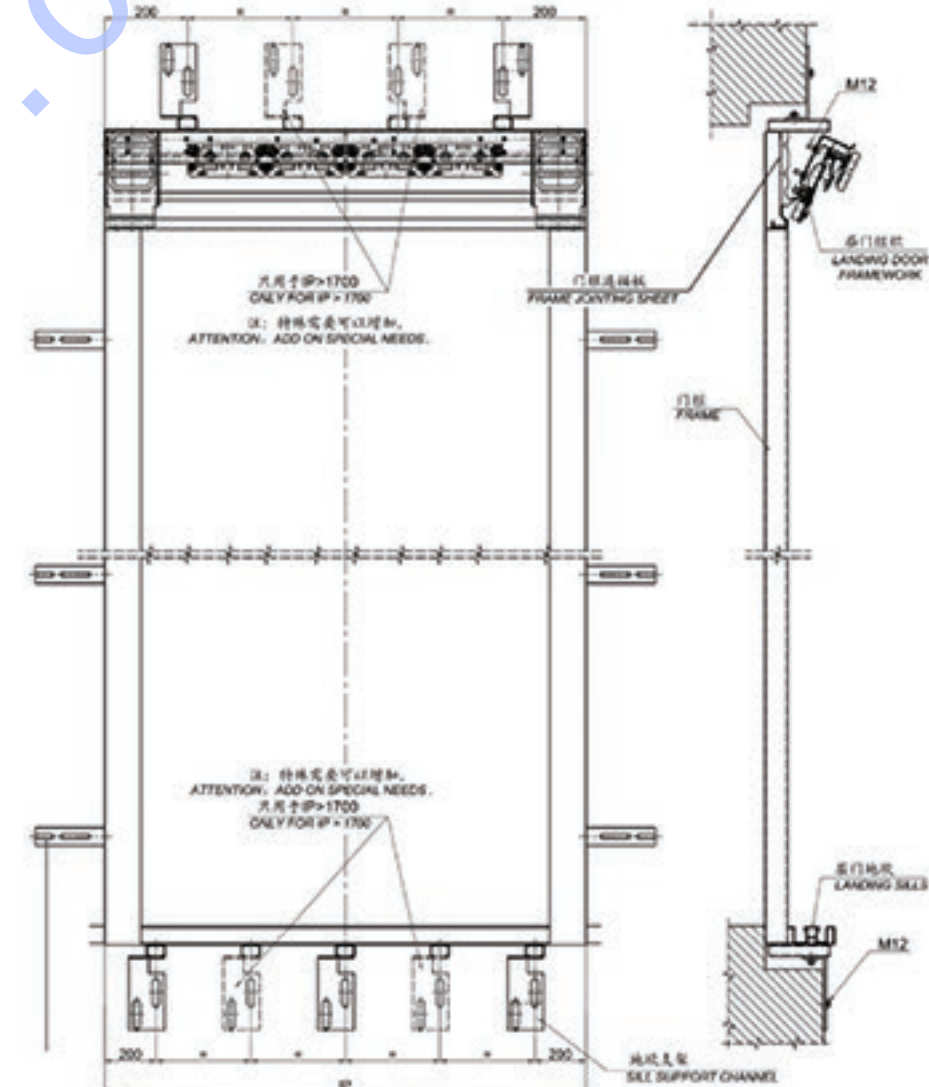
► Selcom Type Door Operator & Landing Door Device

VVF Center Opening Door Operator MZT-OV-211



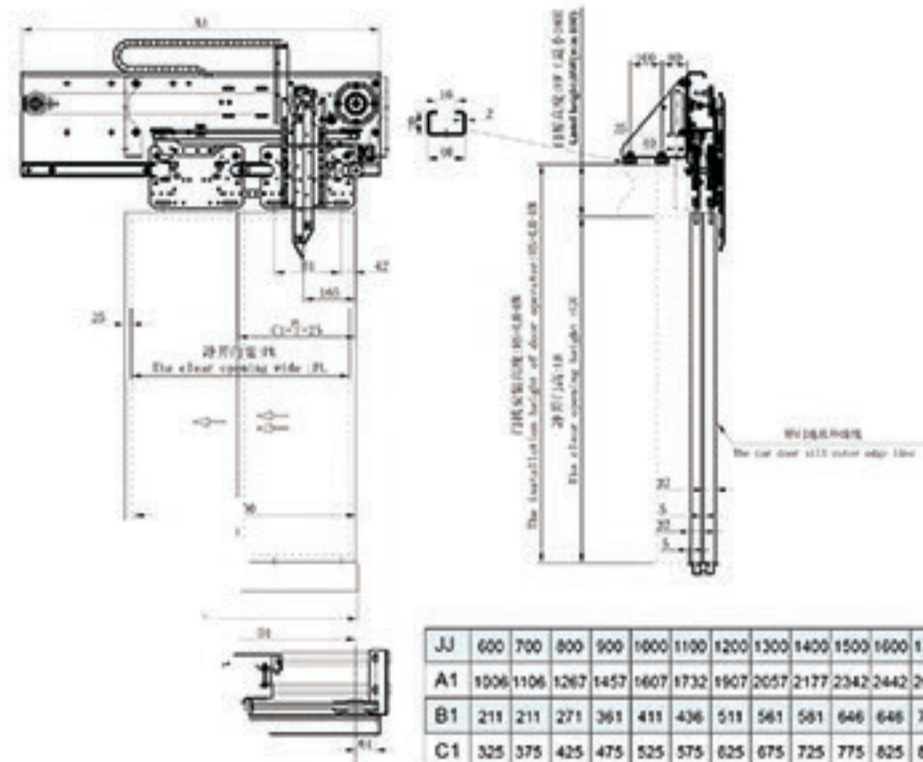
| | | | | | | | |
|----|------|------|------|------|------|------|------|
| JJ | 600 | 700 | 800 | 900 | 1000 | 1100 | 1200 |
| A1 | 1320 | 1420 | 1640 | 1890 | 2070 | 2250 | 2510 |
| B1 | 211 | 211 | 271 | 361 | 411 | 436 | 511 |
| C1 | 335 | 375 | 425 | 475 | 525 | 575 | 625 |
| D1 | 912 | 912 | 912 | 912 | 912 | 912 | 912 |
| D2 | | | | | | 140 | 140 |

Center Opening Landing Door Device MZT-LO-211



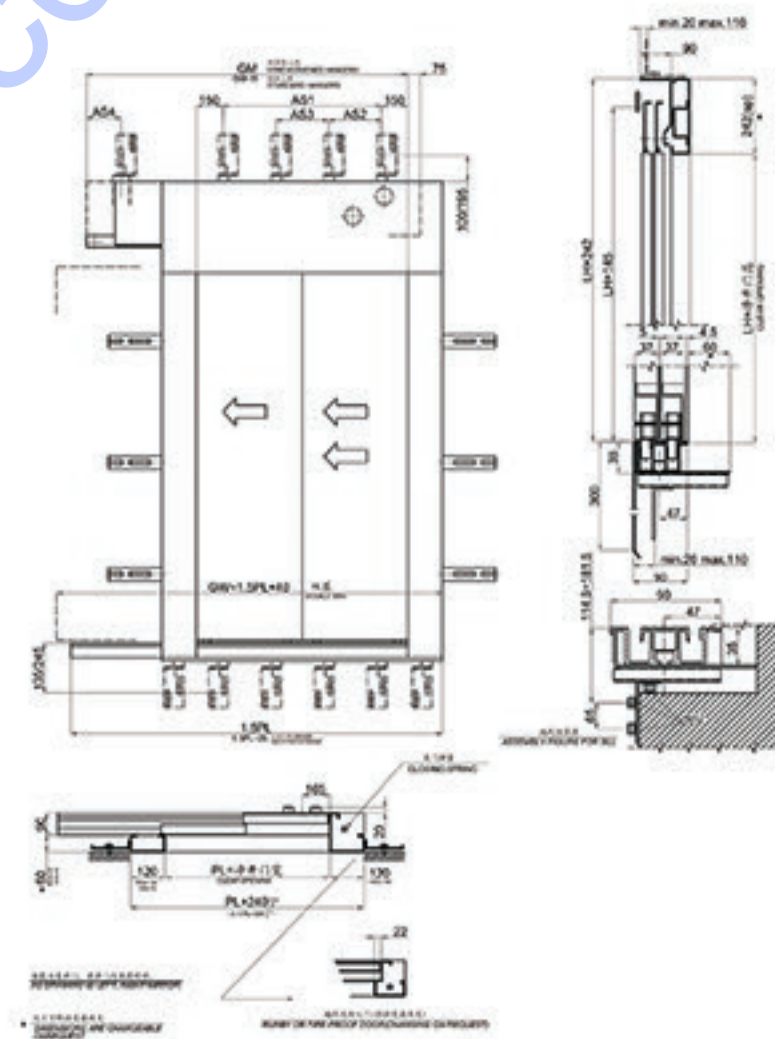
► Selcom Door Operator & Landing Door Device

VVF Side Opening Door Operator MZT-OV-201



| | | | | | | | | | | | | | |
|----|------|------|------|------|------|------|------|------|------|------|------|------|------|
| JJ | 600 | 700 | 800 | 900 | 1000 | 1100 | 1200 | 1300 | 1400 | 1500 | 1600 | 1700 | 1800 |
| A1 | 1006 | 1106 | 1267 | 1457 | 1607 | 1732 | 1907 | 2057 | 2177 | 2342 | 2442 | 2602 | 2802 |
| B1 | 211 | 211 | 271 | 361 | 411 | 436 | 511 | 561 | 581 | 646 | 646 | 706 | 806 |
| C1 | 325 | 375 | 425 | 475 | 525 | 575 | 625 | 675 | 725 | 775 | 825 | 875 | 925 |
| D1 | 580 | 580 | 645 | 770 | 630 | 630 | 630 | 630 | 630 | 630 | 630 | 630 | 630 |
| D2 | | | | | 300 | 300 | 300 | 300 | 300 | 300 | 300 | 300 | 300 |
| D3 | | | | | 250 | 250 | 350 | 350 | 350 | 350 | 350 | 350 | 350 |

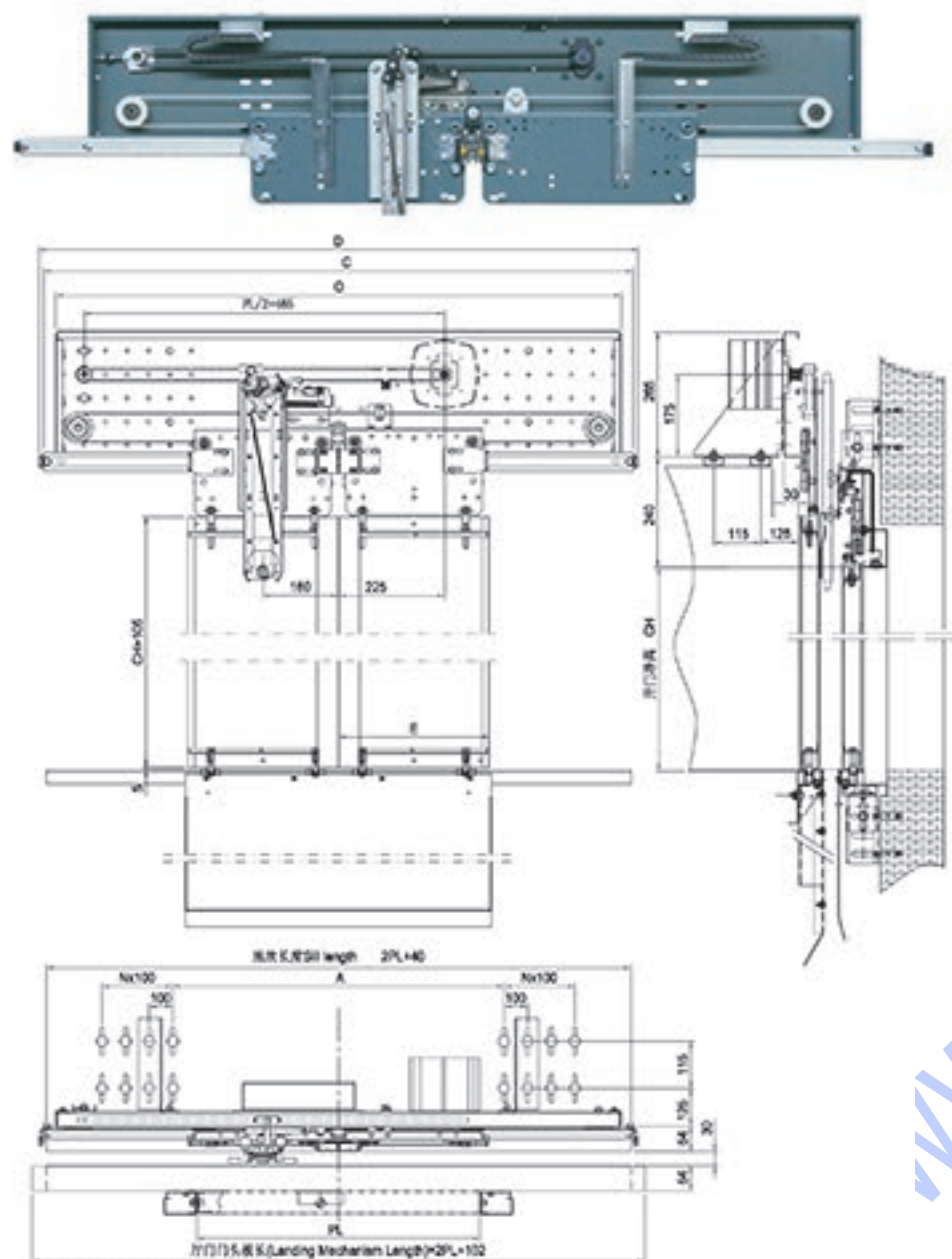
Side Opening Landing Door Device MZT-LO-210



| | | | | | | | | | | | | | |
|----|------|------|------|------|------|------|------|------|------|------|------|------|------|
| JJ | 600 | 700 | 800 | 900 | 1000 | 1100 | 1200 | 1300 | 1400 | 1500 | 1600 | 1700 | 1800 |
| A1 | 1006 | 1106 | 1267 | 1457 | 1607 | 1732 | 1907 | 2057 | 2177 | 2342 | 2442 | 2602 | 2802 |
| B1 | 211 | 211 | 271 | 361 | 411 | 436 | 511 | 561 | 581 | 646 | 646 | 706 | 806 |
| C1 | 325 | 375 | 425 | 475 | 525 | 575 | 625 | 675 | 725 | 775 | 825 | 875 | 925 |
| D1 | 580 | 580 | 645 | 770 | 630 | 630 | 630 | 630 | 630 | 630 | 630 | 630 | 630 |
| D2 | | | | | 350 | 300 | 300 | 300 | 300 | 300 | 300 | 300 | 300 |
| | | | | | 250 | 350 | 350 | 350 | 350 | 350 | 350 | 350 | 350 |

► Fermator Type Door Operator & Landing Door

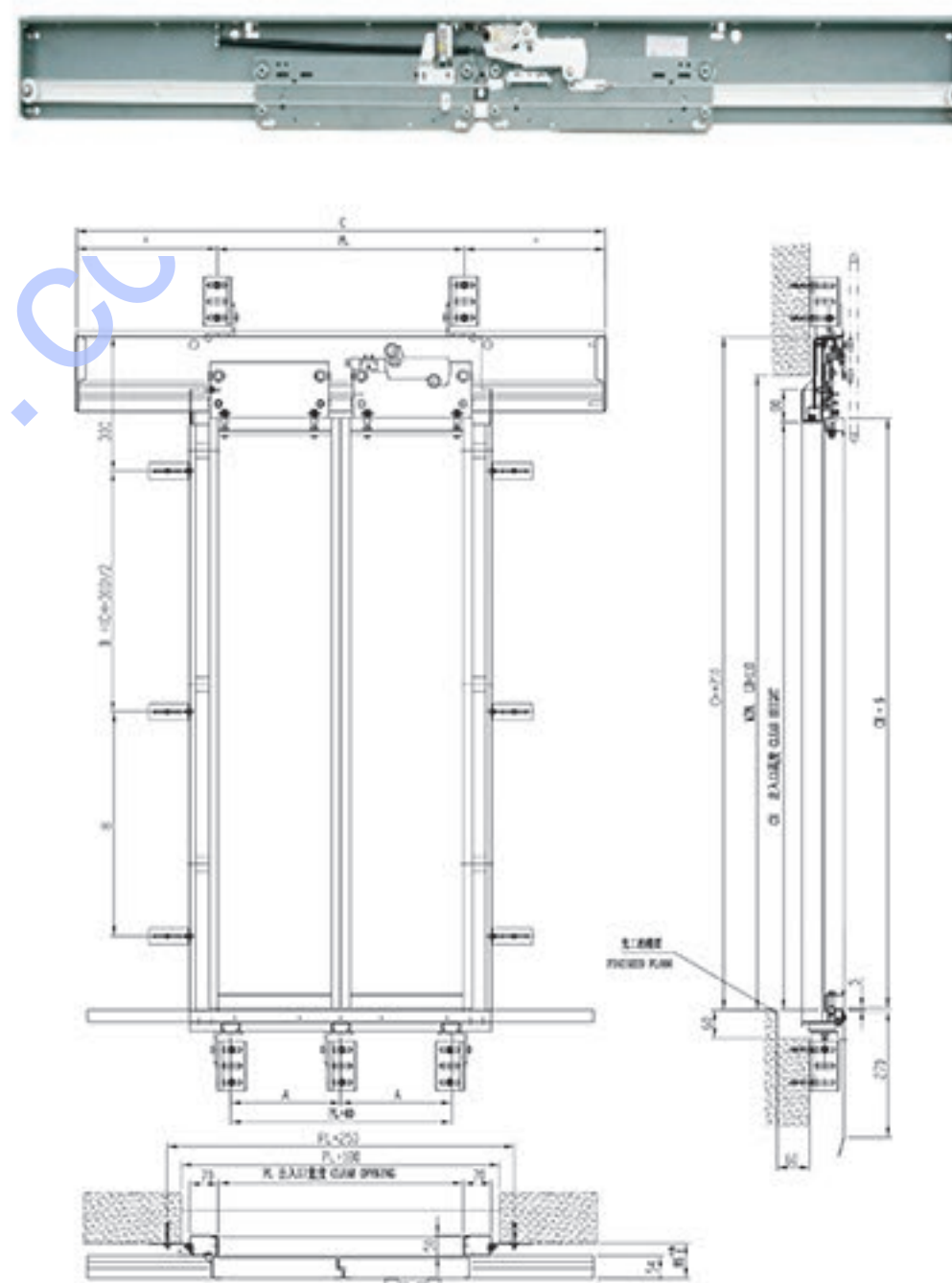
Center Opening Car Door MZT-FV-211



Note: For PL > 1200, double doors are used

| PL | 600 | 650 | 700 | 750 | 800 | 850 | 900 | 1000 | 1100 | 1200 |
|------------|------|------|------|------|------|------|------|------|------|------|
| A | 785 | 785 | 785 | 785 | 785 | 785 | 885 | 885 | 885 | 885 |
| C | 1250 | 1350 | 1450 | 1550 | 1650 | 1750 | 1850 | 2050 | 2250 | 2450 |
| D | 1270 | 1370 | 1470 | 1570 | 1670 | 1770 | 1870 | 2070 | 2270 | 2470 |
| O | 1200 | 1250 | 1400 | 1450 | 1500 | 1550 | 1600 | 1700 | 1800 | 2200 |
| E | 320 | 345 | 370 | 395 | 420 | 445 | 470 | 520 | 570 | 620 |
| N | 1 | 1 | 2 | 2 | 2 | 2 | 2 | 3 | 3 | 3 |
| 时间 (s) | 1.22 | 1.27 | 1.32 | 1.37 | 1.41 | 1.45 | 1.5 | 1.58 | 1.66 | 1.73 |
| 重量 (kg) | 52.5 | 57 | 61.5 | 66 | 70 | 74.5 | 79 | 87.5 | 96.5 | 105 |
| 公差: ±0.75% | | | | | | | | | | |

Center Opening Landing Door Device MZT-LF-211



| PL | 700 | 800 | 900 | 1000 |
|----|------|------|------|------|
| C | 1500 | 1700 | 1900 | 2100 |
| A | 300 | 350 | 267 | 300 |
| S | 3 | 3 | 4 | 4 |
| T | 5 | 5 | 6 | 6 |

S: NUMBER OF SUPPORTS FOR SUPPORT TRACK T: TOTAL NUMBER OF SUPPORTS

www.mozitor.com

➤ Mitsubishi Type Door Operator & Landing Door



Door Operator



Door Panel



Cabin Door Sill



Sill Bracket



Supporting Board For Sill



Toe-Guard Board



Landing Door Device



Top Frame



Door Panel Side Frame



Weight
Weight Cover



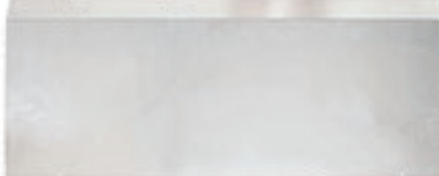
Fixing Bolts



Door Sill



Supporting Board For Sill



Toe-Guard Board



Sill Bracket



www.mozitor.com