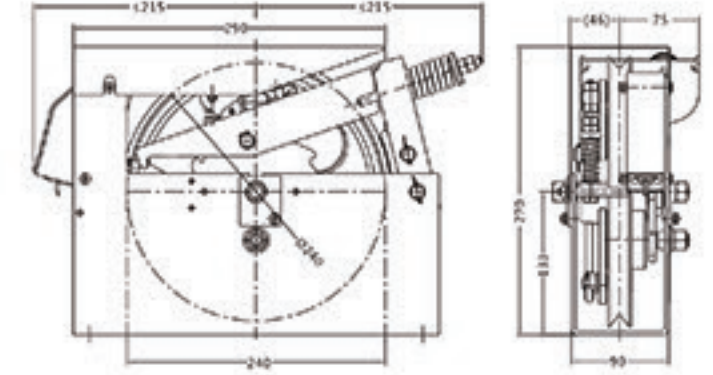


## PART 5 ►

## Safety Protection System

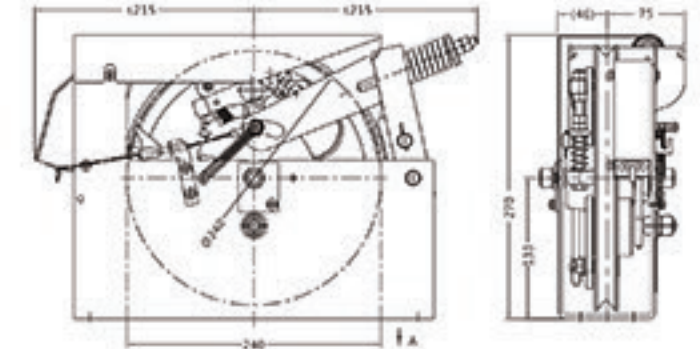
### ► Overspeed Governor

MZT-OX-240



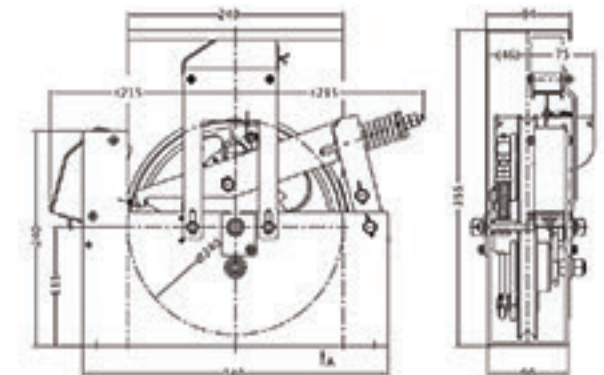
Rated speed	≤2.5m/s
Wire rope diameter	Φ6, Φ8
Sheave diameter	Φ240

MZT-OX-240B



Rated speed	≤2.5m/s
Wire rope diameter	Φ6, Φ8
Sheave diameter	Φ240

MZT-OX-240F

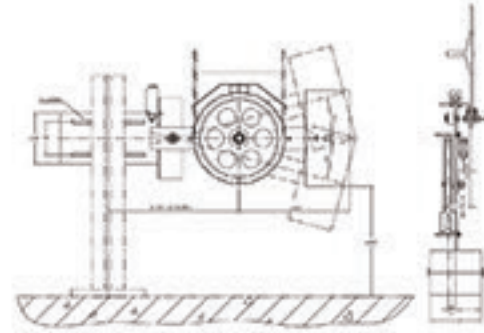
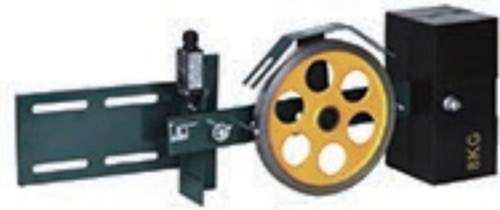


Rated speed	≤2.5m/s
Wire rope diameter	Φ6, Φ8
Sheave diameter	Φ240



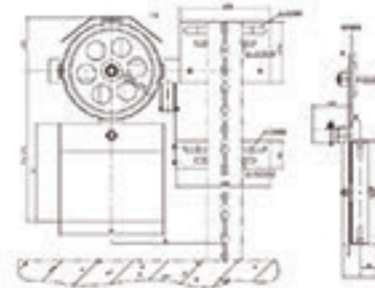
## ➤ Tension Device

### MZT-OX-200



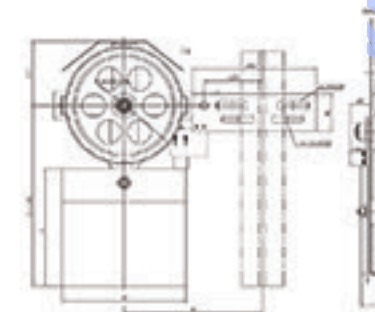
Category	Rope wheel diameter	Diameter of wire rope	A	B	Quality of balancing	Applicable cable
A01	φ200	φ6	100-400	20-60	12kg	≤50m
A02		φ6			19kg	50-100
A03	φ240	φ6-φ8			12kg	≤50m
A04		φ6-φ8			19kg	50-100
A05		φ8			24kg	50-100

### MZT-OX-300



Category	Rope wheel diameter	Diameter of wire rope	A	B	Quality of balancing	Applicable cable
A01	φ200	φ6	200-300 305-405	18	19kg	≤50m
A02		φ6			30kg	50-100m
A03	φ240	φ6-φ8			19kg	≤50m
A04		φ6-φ8			30kg	50-100m

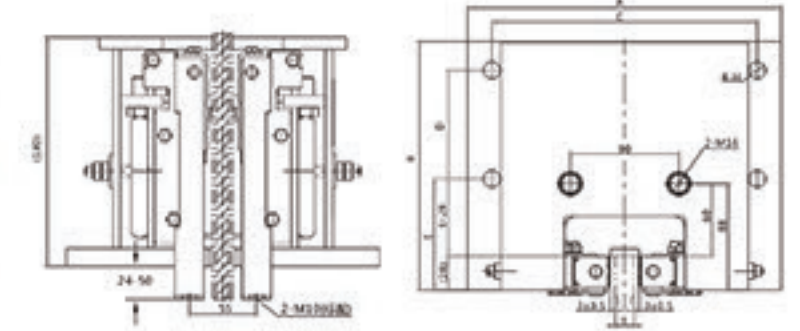
### MZT-OX-300A



Category	Rope wheel diameter	Diameter of wire rope	A	B	Quality of balancing	Applicable cable
A01	φ200	φ6	200-300 305-405 425	18	19kg	≤50m
A02		φ6			30kg	50-100m
A03	φ240	φ6-φ8			19kg	≤50m
A04		φ6-φ8			30kg	50-100m

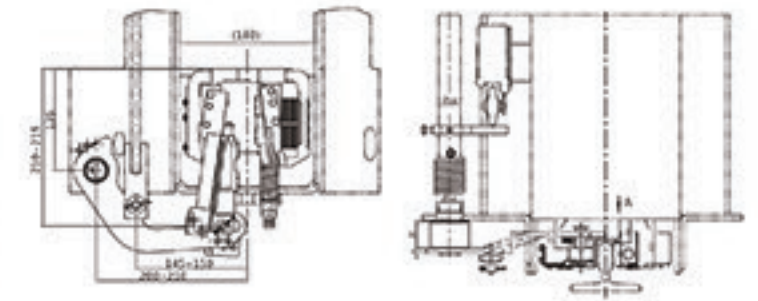
## ➤ Safety Gear

### MZT-OX-188

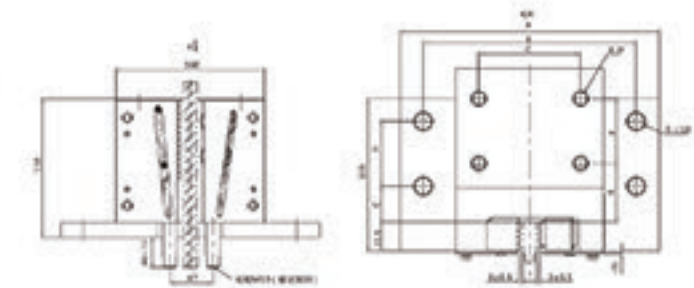


Type	A	B	C	D	E	H	Weight (kg)
A01	260	206	220	90	52	φ16	OK-029
A02	206		110			M16	

### MZT-OX-210A



### MZT-OX-288



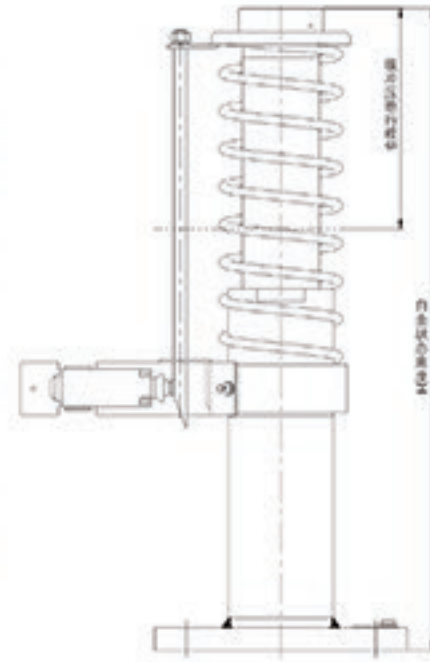
Type	Rated load	Vertical beam channel steel	A	B	C	D	E	F	G	H
OX-288(A01)	≤2T	14#	260	210	38.5	70	63	70	110	M16
OX-288(A02)	≤3T	10#	280	230	38.5	70	63	70	110	M16
OX-288(A03)		18#	300	260	38.5	70	63	70	110	M16



## Oil Buffer

Over-speed governor is one of the safety control units of elevator safety protection system. During running, when the car over-speed or even risk to fall while other protection devices do not work, the over-speed governor and safety gear or up-going protective device will generate linkage protection to stop the car. Governor generally be installed inside the elevator machine room or directly installed on the bearing beam, machine roomless governor will be installed on the guide rail or bottom hole on the ground.

Our company currently offers various series of over-speed governor specifications, applicable to different elevator layouts, such as conventional return and non-return machine room governor; machine roomless governor etc. Customers need to learn its function and parameters in accordance with its specification and type. (For details, please study the corresponding type test report) to ensure its performance matching with the elevator actual state.



Technical parameters:

Type	Speed (m/s)	Weight range(kg)	Pillar guly riuting (mm)	Freestate (mm)	Fix size(mm)	Oil is needed (L)
OH-65	≤0.63	500~4600kg	65	350	100*150	0.45
OH-70	≤1.0	300~2500kg	70	305	80*210	0.50
OH-80	≤1.0	600~3000kg	80	315	90*150	0.40
OH-80A	≤1.0	1000~4600kg	80	405	90*150	0.52
OH-175	≤1.6	600~3000kg	175	510	90*150	0.60
OH-210	≤1.75	700~3000kg	210	600	90*150	0.80
OH-220	≤1.75	600~2500kg	220	780	80*210	1.30
OH-275	≤2.0	300~3800kg	275	790	80*210	1.50
OH-10	≤1.0	300~2500kg	100	390	90*150	0.50
OH-16	≤1.6	700~5300kg	175	625	100*210	1.70
OH-20	≤2.0	1000~5300kg	290	915	100*210	2.60



MZT-OH-65



MZT-OH-70



MZT-OH-80



MZT-OH-80A



MZT-OH-175



MZT-OH-210



MZT-OH-220



MZT-OH-275



MZT-OH-10



MZT-OH-16



MZT-OH-20



## ➤ Light Curtain



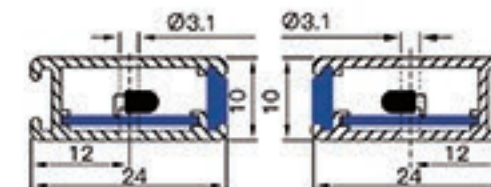
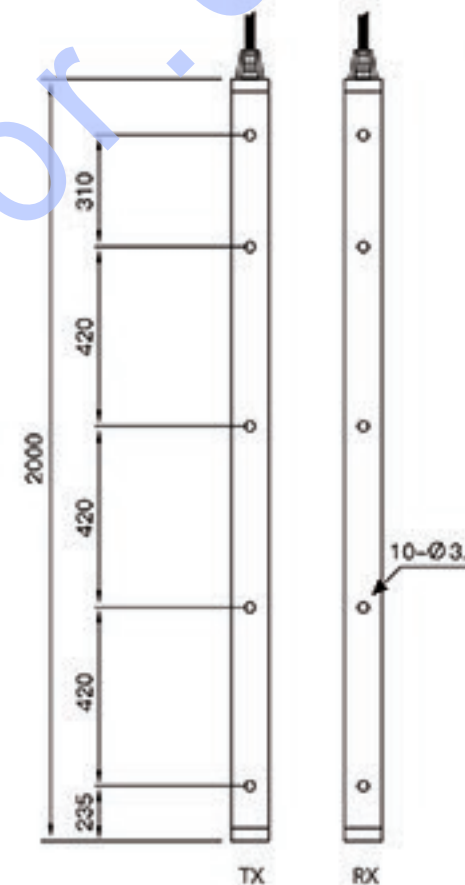
### Model Definitions

example: MZT-WECO-917 A 6 1 - AC220 - E

**New Standard Configuration E**  
 Power and system output options:  
 AC220: 185V~200VAC, 50/60Hz power box, 1NO/1NC relay output  
 AC110: 110VAC ± 20%, 50/60Hz power box, 1NO/1NC relay output  
 DC24A: 24VDC ± 10% power box, 1NO/1NC relay output  
 DC24B: 10-30VDC direct input, 1NO NPN output  
 DC24C: 10-30VDC direct input, 1NC NPN output  
 DC24D: 10-30VDC direct input, 1NO PNP output  
 DC24E: 10-30VDC direct input, 1NC PNP output  
 DC24F: 10-30VDC direct input, 1NC relay output  
 DC24G: 10-30VDC direct input, 1NO relay output  
 DC24H: 24VDC safety function power box  
 Connection Cable:  
 1: 3.5m/2pcs, for standard central-opening lift doors  
 2: 3.5m/2pcs, for side opening lift doors  
 3: 2.5m, 4.5m/1pcs, for new side opening lift doors  
 4: 5m/2pcs, for Two Panel central-opening lift doors  
 TX/RX Number:  
 4: 20# (20 Diode sets)  
 5: 36# (36 Diode sets)  
 6: 17# (17 Diode sets)  
 7: 32# (32 Diode sets)  
 8: 40# (40 Diode sets)  
 9: 48# (48 Diode sets)  
 Profile: A B C ... Z  
 WECO-917 series: WECO-917  
 WECO-957 series: WECO-957

	917				957			
<b>Technical Features</b>								
Number of Infra-Red Codes	17 Diode sets	32 Diode sets	17 Diode sets	20 Diode sets	32 Diode sets	36 Diode sets	40 Diode sets	48 Diode sets
Response Time	40ms relay output	67ms relay output	40ms relay output	40ms relay output	67ms relay output	60ms relay output	50ms relay output	70ms relay output
	21ms transistor output	32ms transistor output	21ms transistor output	24ms transistor output	30ms transistor output	41ms transistor output	40ms transistor output	50ms transistor output
Scanning Beams	94-33 Beams	154-94 Beams	94-33 Beams	128-98 Beams	154-94 Beams	174-120 Beams	194-118 Beams	214-142 Beams
Infrared diodes range	117.5mm	58.8mm	117.5mm	84mm	58.8mm	47.5mm	47.5mm	40mm
Detecting height	20 - 184mm		20 - 167.5mm		20 - 184mm		20 - 186mm	

## ➤ Light Curtain



MZT-SFT-620/632 技术参数 Technical specifications		
Model	MZT-SFT-620	MZT-SFT-632
Number of diodes	17 Pairs	32 Pairs
Distance between diodes	118mm	59mm
Maximum beams (distance > 400mm)	96 Beams	154 Beams
Minimum beams (distance < 400mm)	33 Beams	94 Beams
Highest beam	> 1840mm	
Lowest beam	< 20mm	
Size	10mm (thickness) × 24mm (width) × 2000mm (height)	
Detecting distance	0-4000mm	
Vertical displacement at 0mm	±20mm	
Horizontal displacement at 0mm	±3mm	
Angular displacement at 50mm	±7°	
Cable reliability	20 million door movements	
Light immunity	> 100,000LUX	
EMC compliance	Emissions to EN12015, Immunity to EN12016	
Operating temperature range	-20°C ~ +65°C	
IP Rating	IP64	
Vibration test	The vibration frequency is 10-55Hz, the amplitude is 0.75mm, Vibration direction X, Y, Z three axial each 50min	
Response Time (NPN or PNP)	45ms	65ms
Response Time (Relay)	60ms	80ms